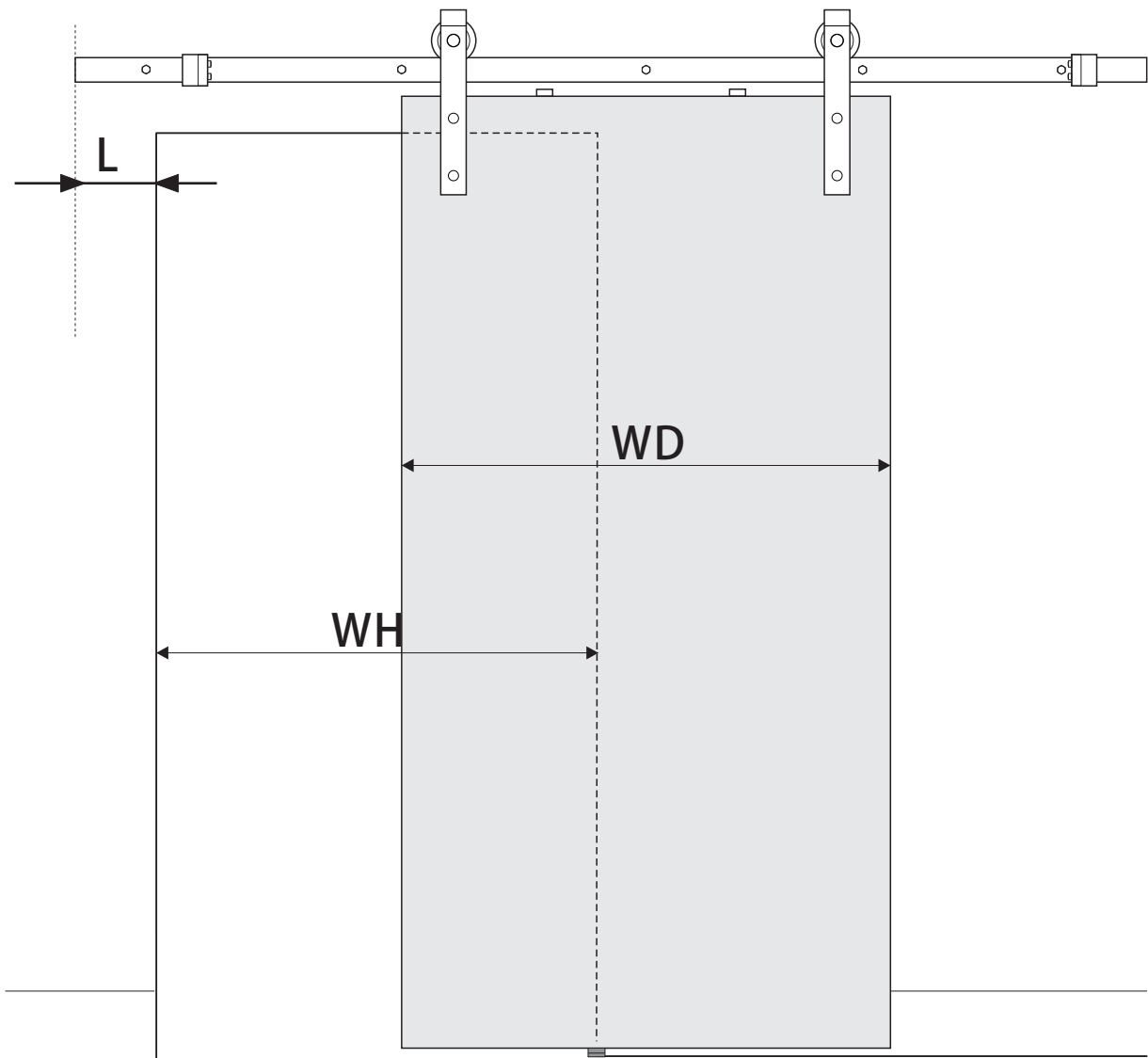
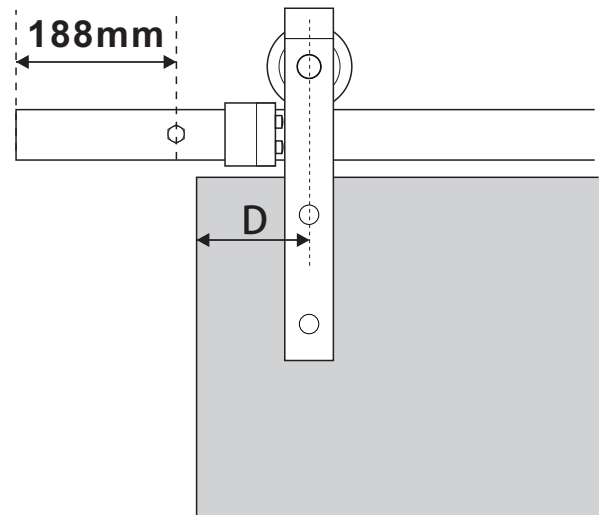


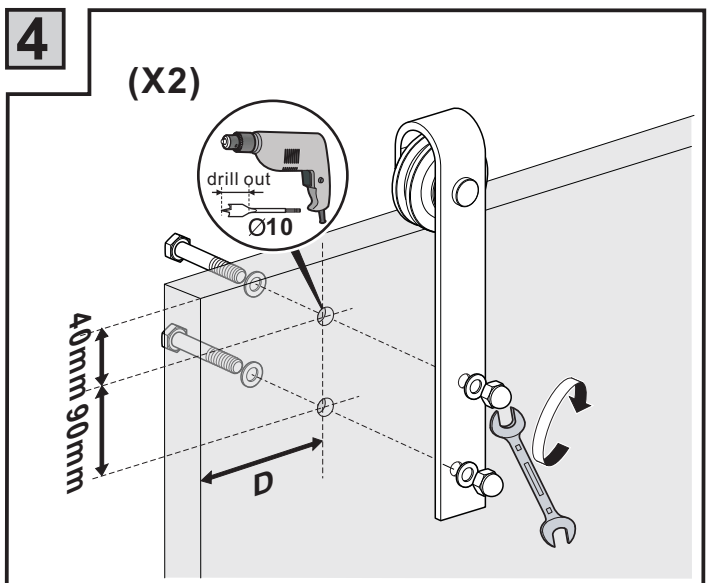
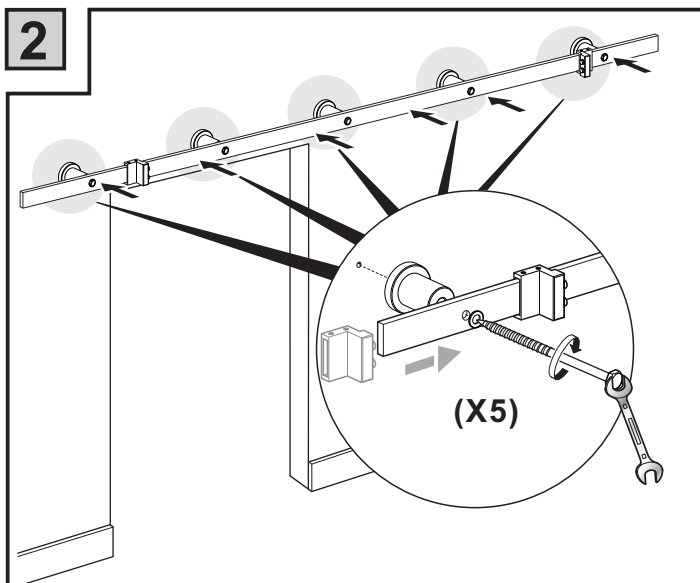
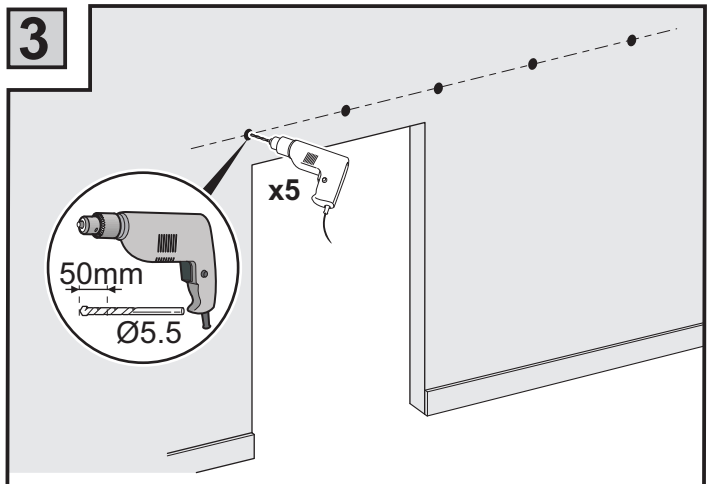
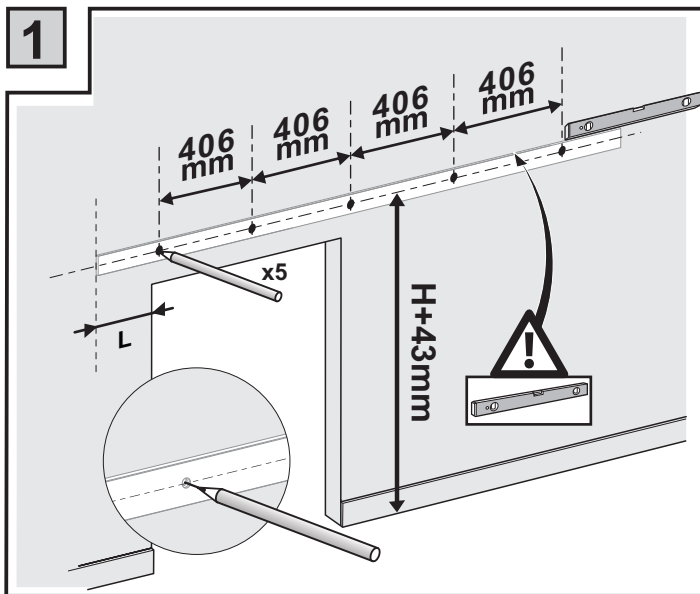
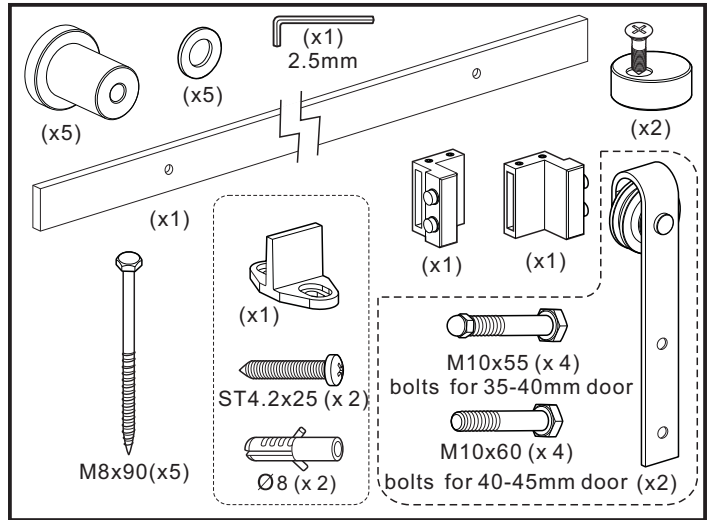
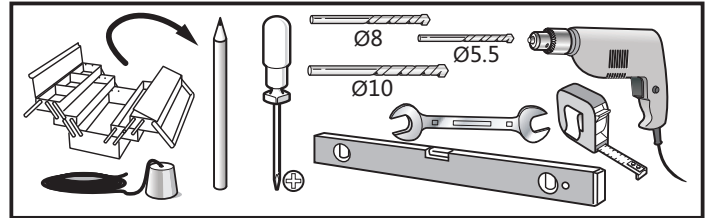
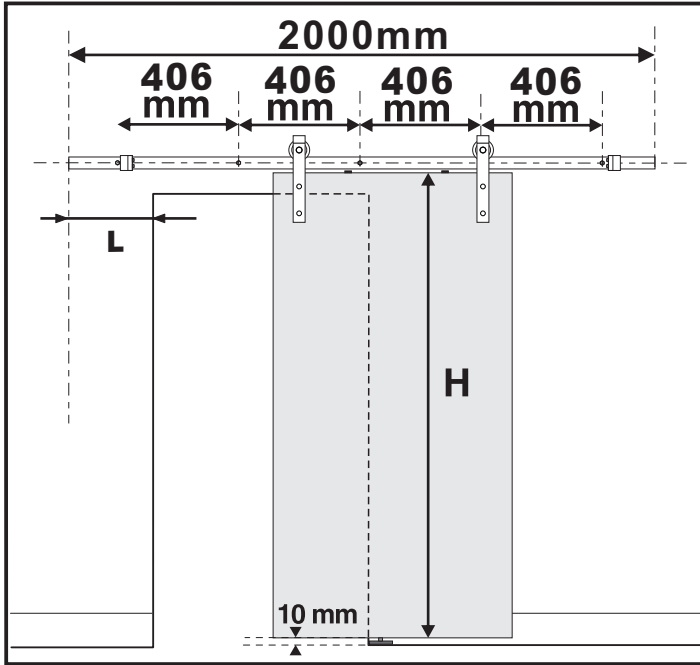
# Drilling position measurement

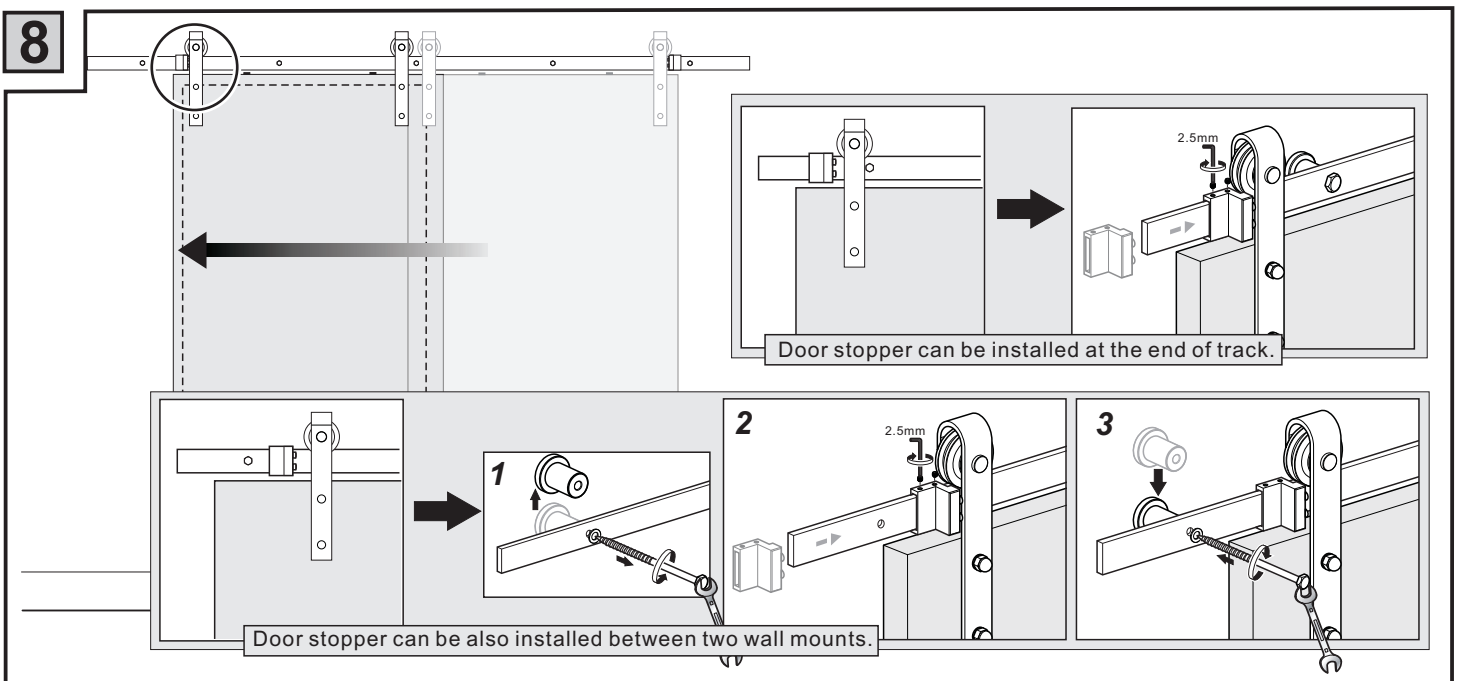
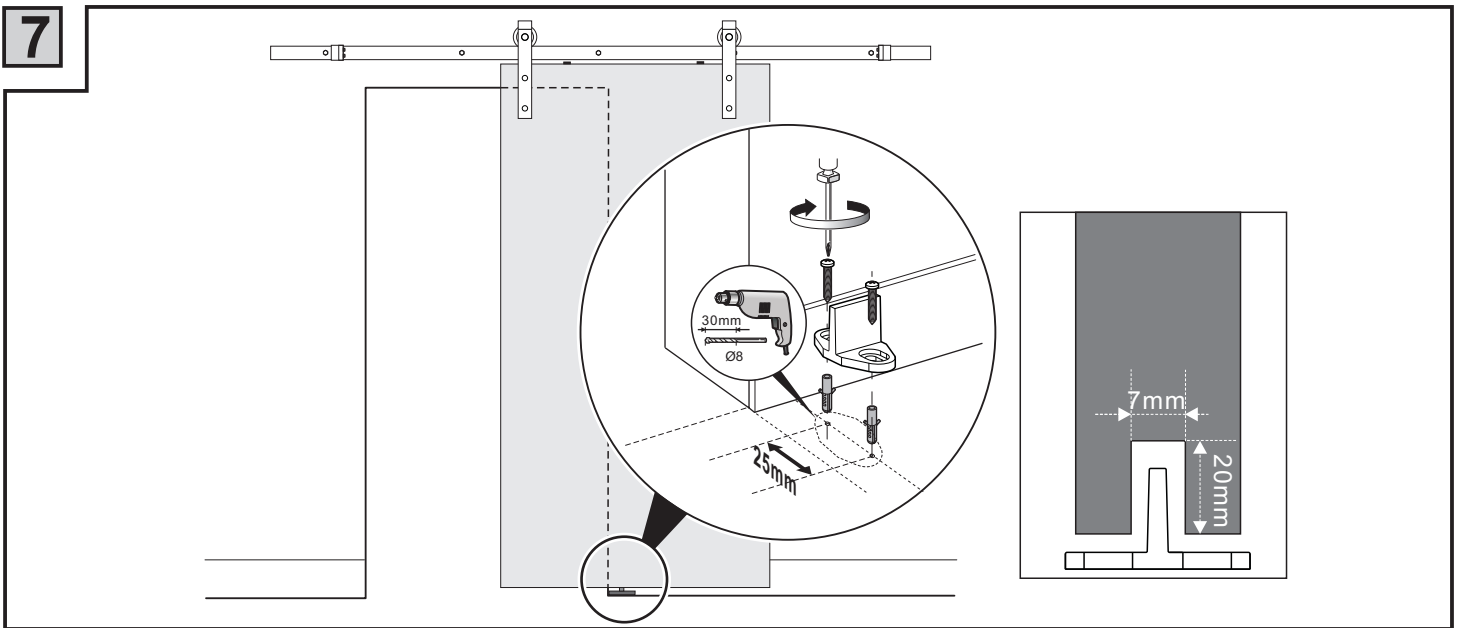
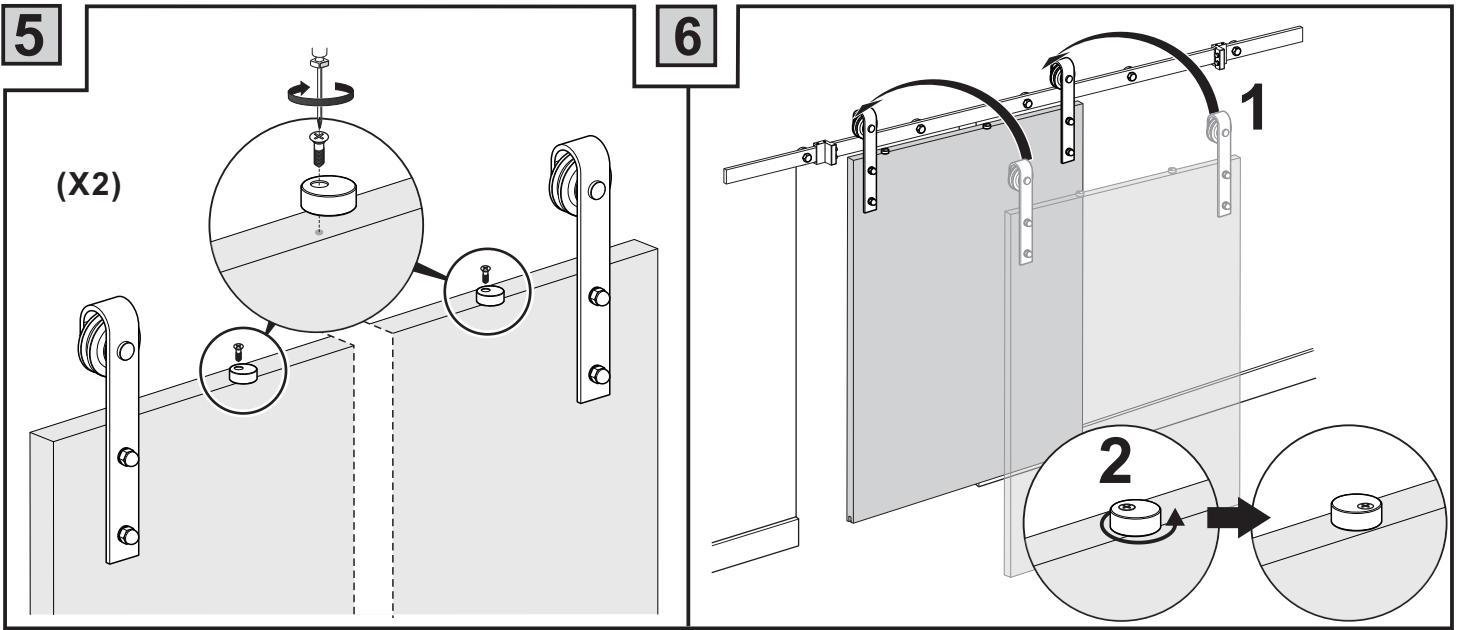


D(mm)	L(mm)
20	$128 + (WD - WH) / 2$
100	$48 + (WD - WH) / 2$
150	$38 + (WD - WH) / 2$



# Installation Manual





9

