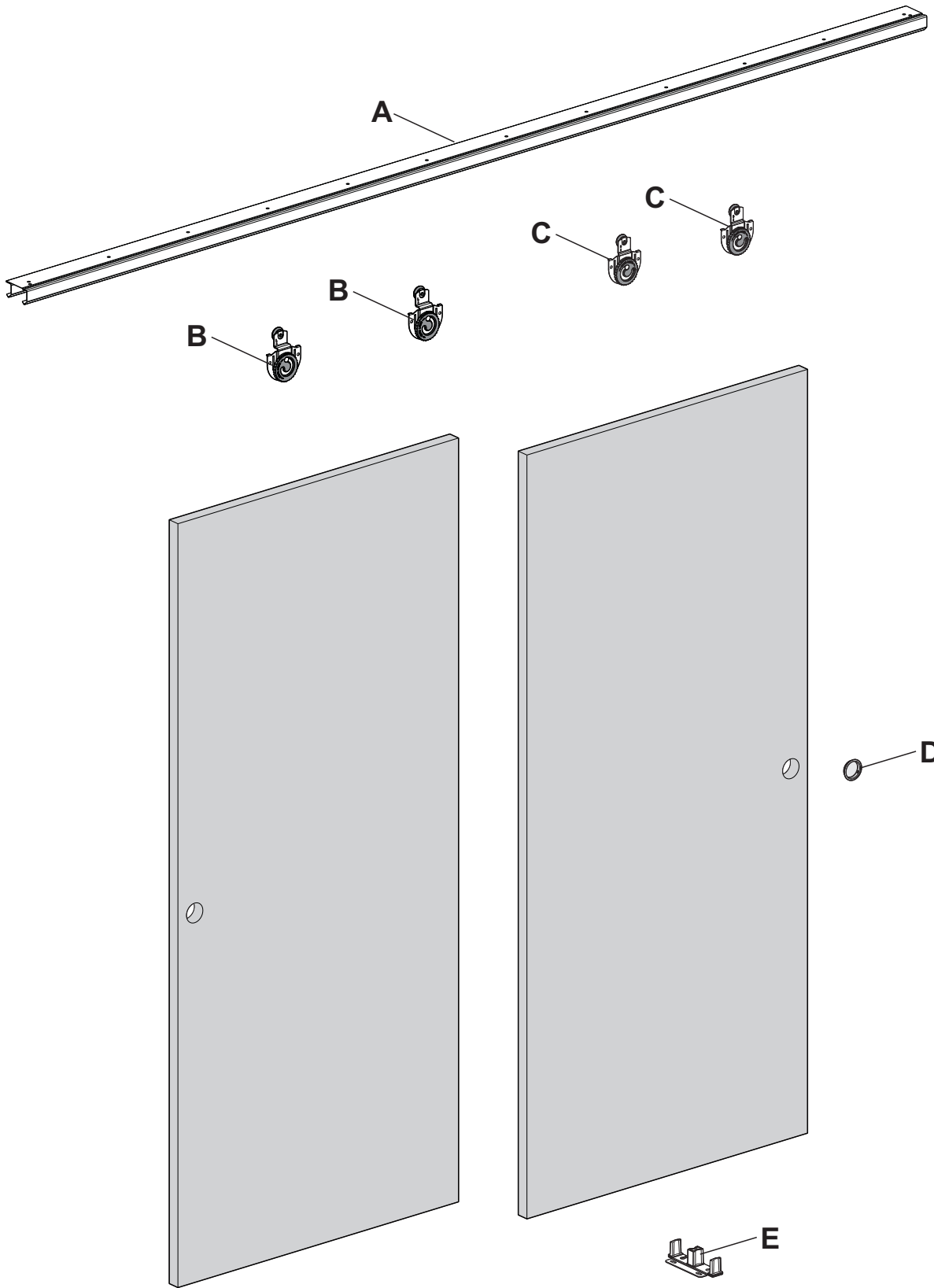


Installation manual

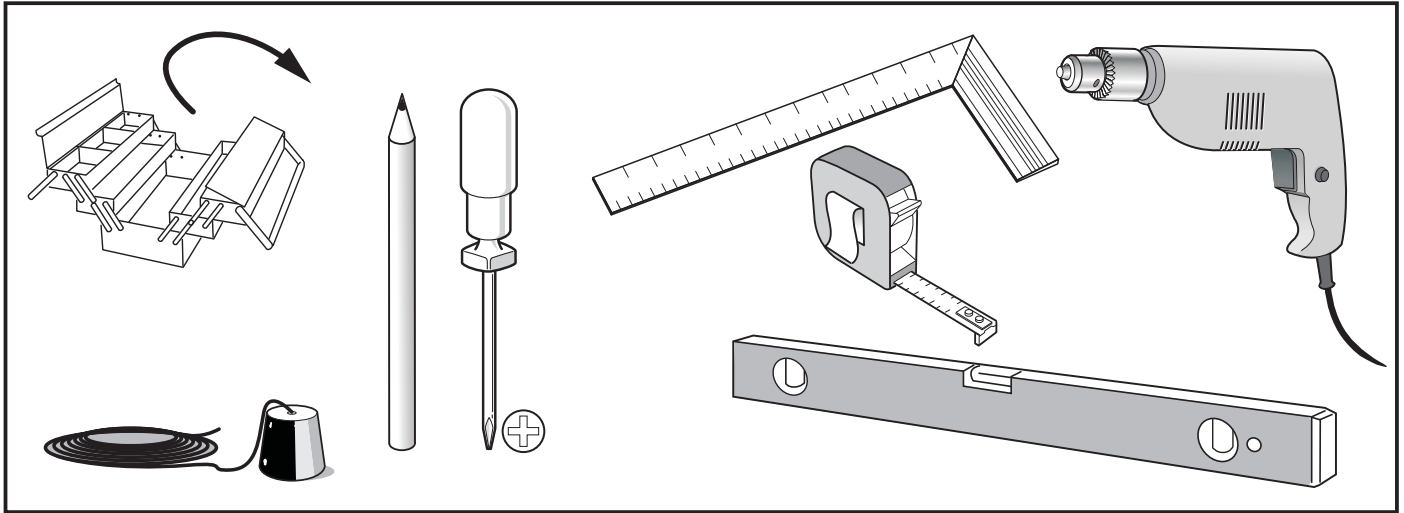


Components list

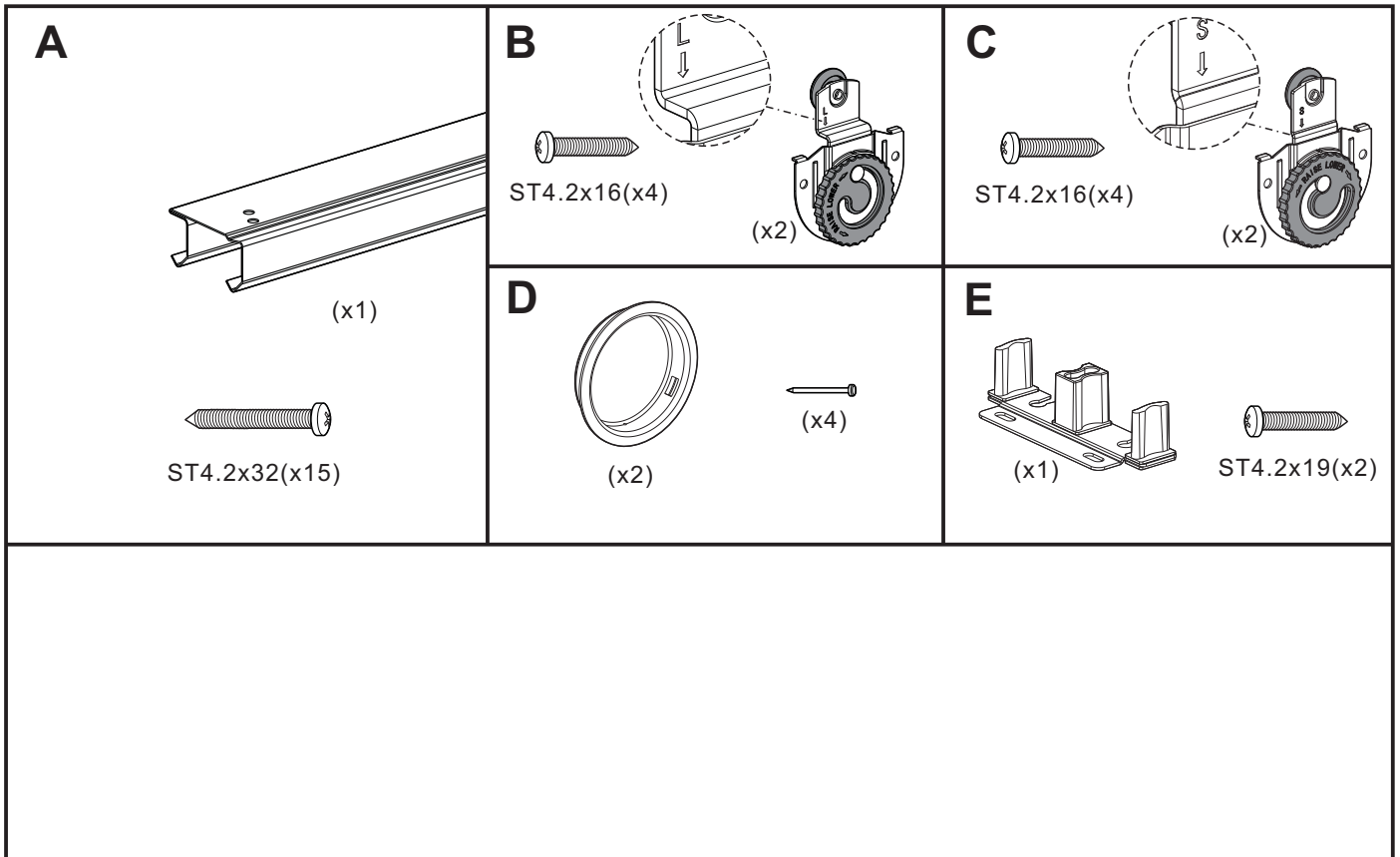


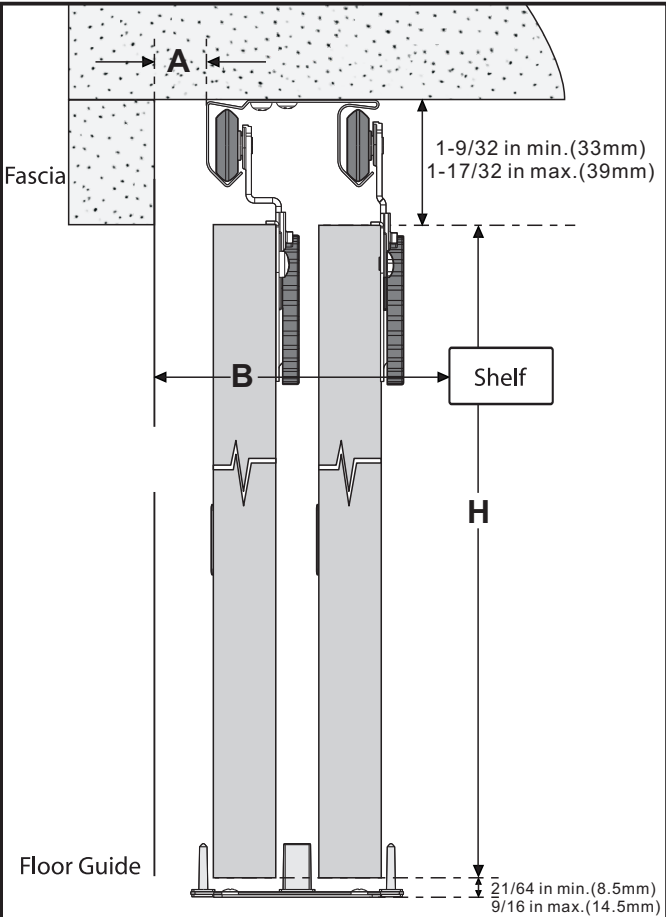
PRE-INSTALLATION

TOOLS REQUIRED



HARDWARE INCLUDED





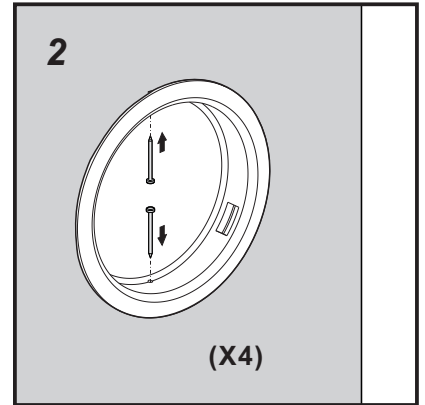
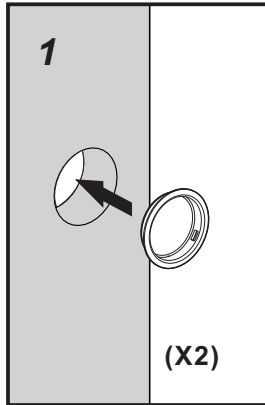
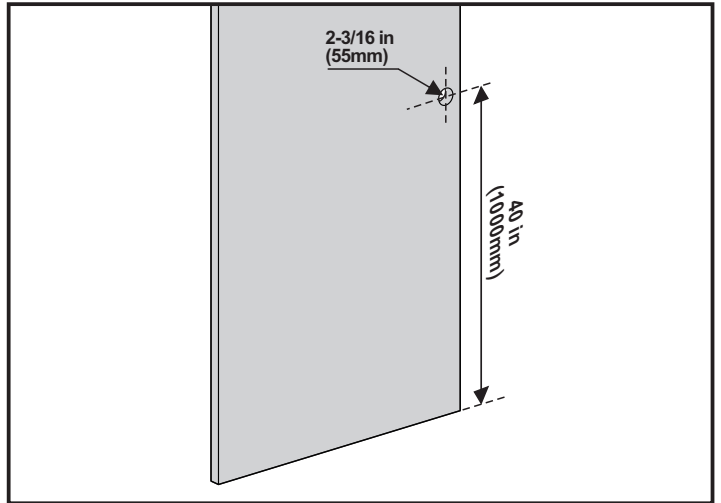
Door Thickness	3/4 in	1-3/8 in
Dimension A	0 in 0 mm	15/16 in 2,4 cm
Dimension B	2-3/4 in 7,0 cm	4 in 10,2 cm

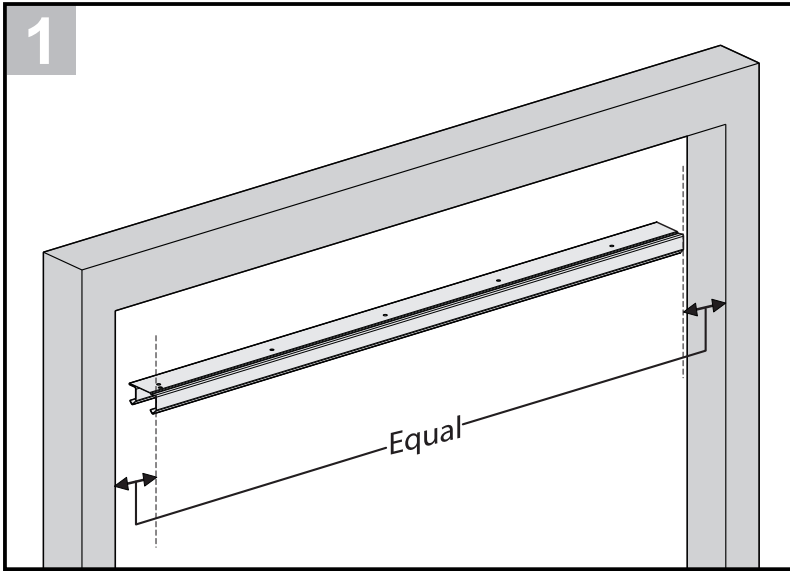
TRACK LOCATION

Depending on door thickness, the track should be installed a certain distance from the header (Dimension A). If door thickness is 3/4 in, install track 0 in from header. In this case, track will butt up against header. If door thickness is 1-3/8 in, install track 15/16 in from header (See diagram above). Based on where the track is installed, the doors will protrude back into the closet at certain distance. This distance is labeled as Dimension B, it is a result of where the track is installed or Dimension A.

INSTALLATION OF DOOR PULLS

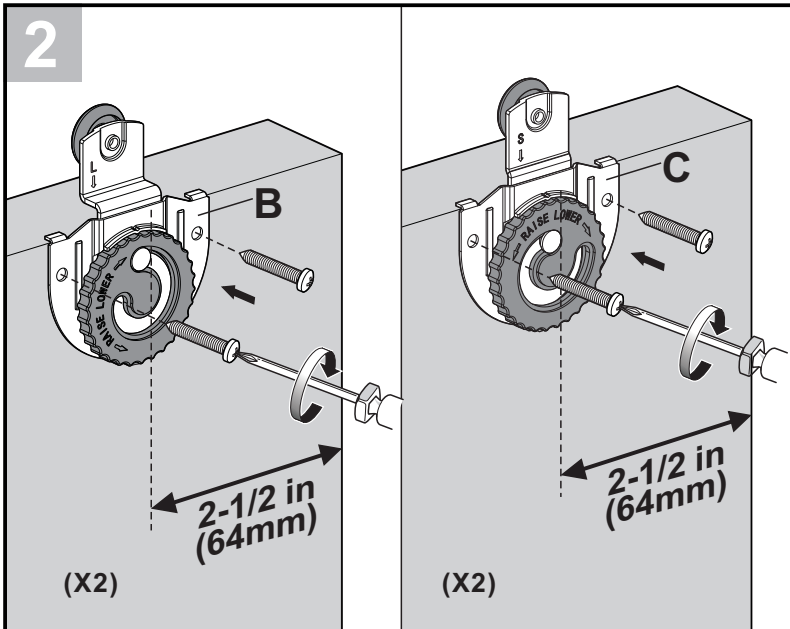
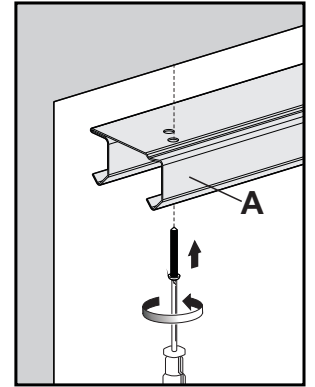
Drill a 2-1/8 in hole into each door panel. The hole should be about 40 in from floor and 2-3/16 in from door edge. Insert door pull into each hole and secure with supplied nails.





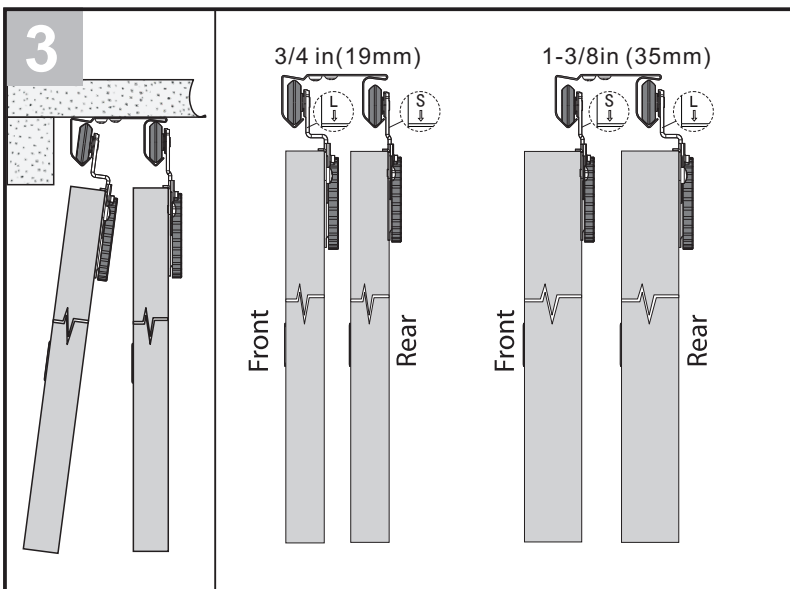
INSTALL TRACK

Place track on door header, centered between both door jambs. Make sure track openings are facing inside of closet. With track as template, mark location of screw holes. Drill $\frac{3}{32}$ in pilot holes to approximate screw length. Using supplied #8 x $1\frac{1}{2}$ in screws, securely attach track to header.



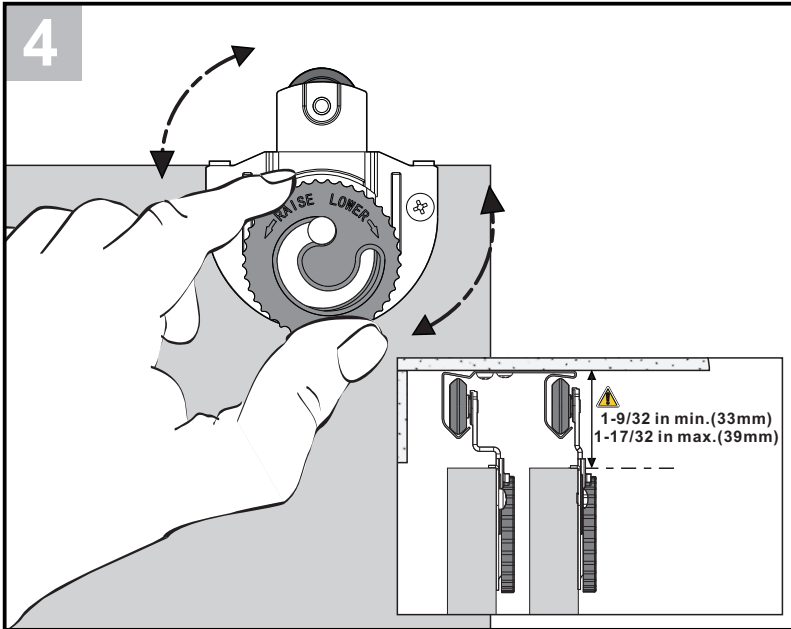
ATTACH DOOR HANGERS

Fasten hangers to top/back of door panel, using supplied #8 x $\frac{5}{8}$ in screws. Dial Adjust Hangers must be $2\frac{1}{2}$ in from edge of door. Using hanger as template, mark screw hole locations. Drill a $\frac{3}{32}$ in pilot hole to approximate screw length. Securely attach hangers with supplied screws.



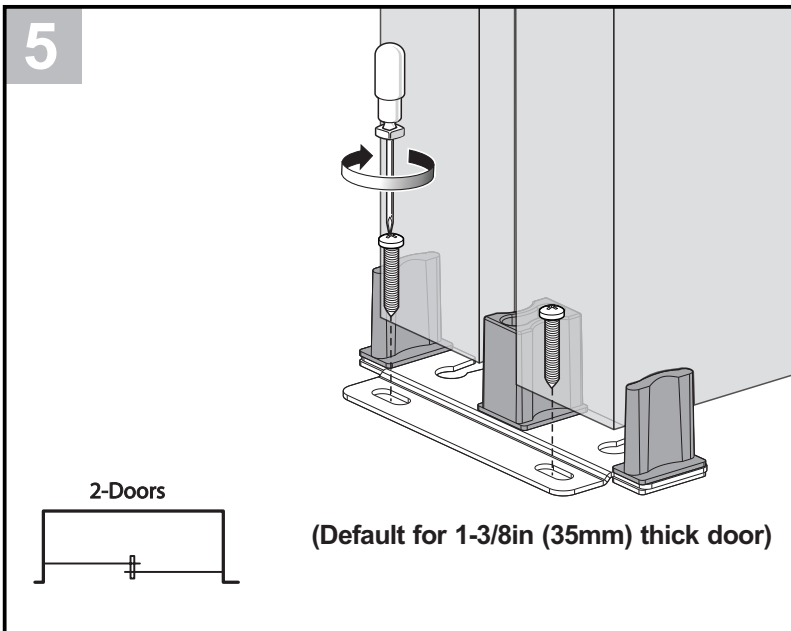
INSTALL DOORS

Hang doors on track. Start with inside (or rear) door first. Door must be positioned at an angle of approximately 15 degrees to engage track. Doors with a width of $\frac{3}{4}$ in require the installation of panel with L hanger first. Doors with a width of $1\frac{3}{8}$ in require the installation of panel with the S hanger first.



DOOR ADJUSTMENT/DIAL ADJUST

Align doors with frame by lifting one side of door, removing weight from hanger. Turn dial until doors are vertically aligned with frame. Release door so that it returns to original position.



INSTALL DOOR GUIDE

Insert nylon post section into metal plate of door guide, according to thickness of door. Position the guide beneath overlap of doors, as shown. Using supplied #8 x 5/8 in screws, securely fasten guide to floor.

NOTE:

To elevate guide, use a carpet riser as needed.

⚠ Floor guide installation instruction for 3/4 in(19mm) thick wood door :

