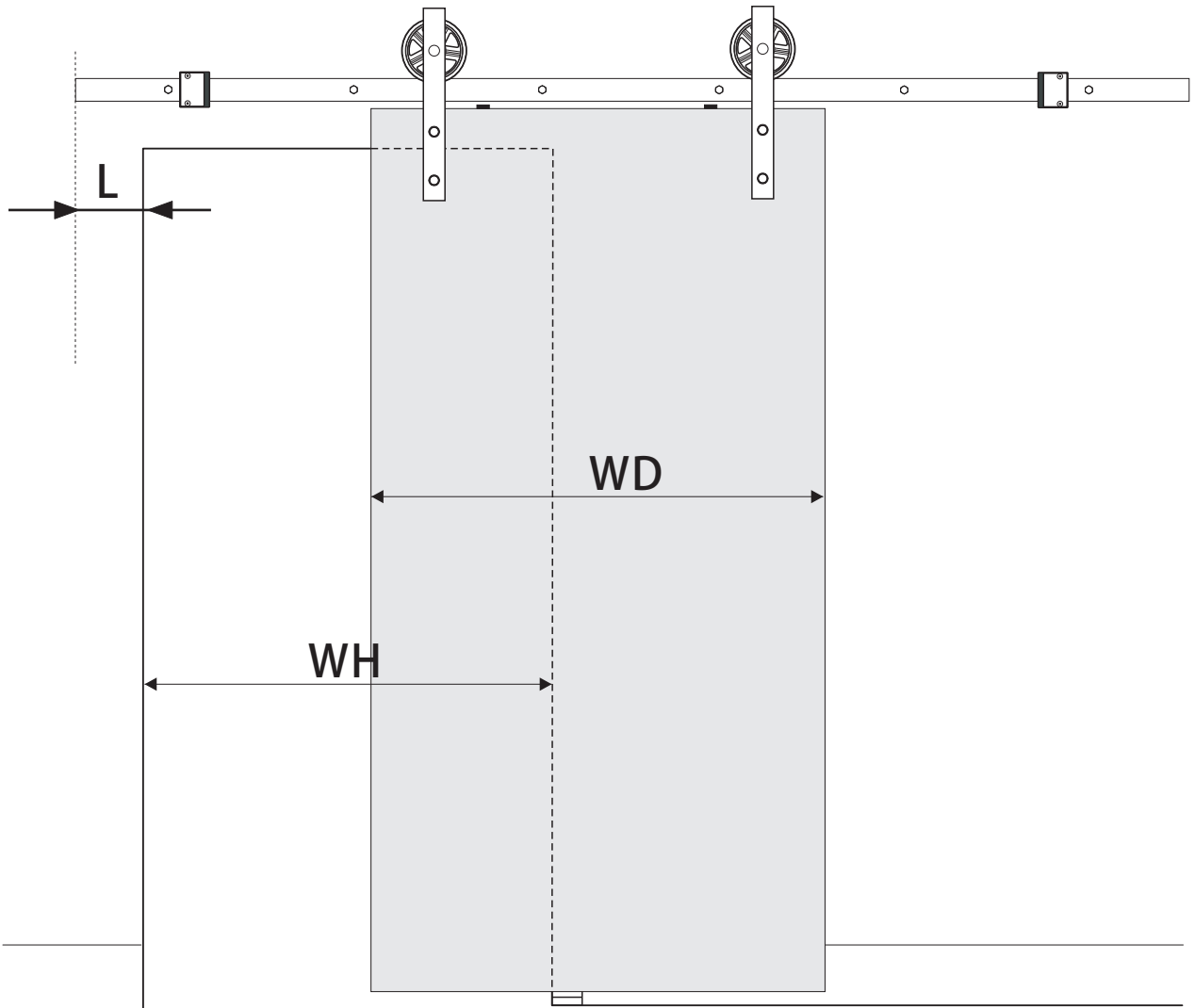
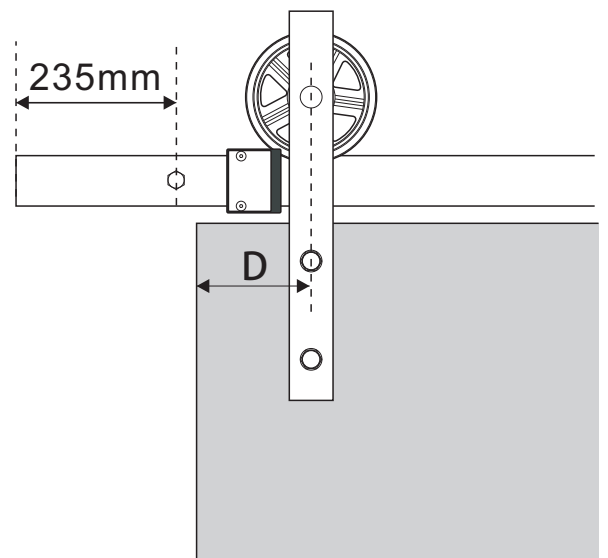


# Drilling position measurement



D(mm)	L(mm)
20	$165 + (WD - WH) / 2$
100	$85 + (WD - WH) / 2$
150	$35 + (WD - WH) / 2$



# Installation Manual

