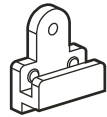
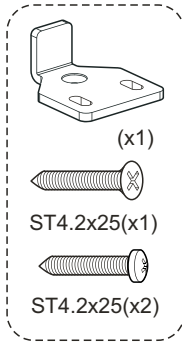


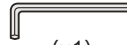
Installation Manual



(x2)



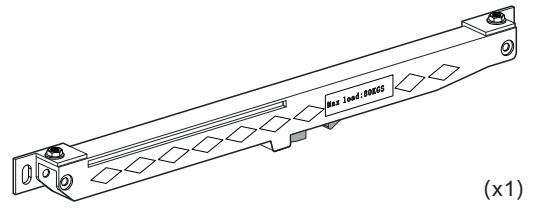
(x2)



(x1)

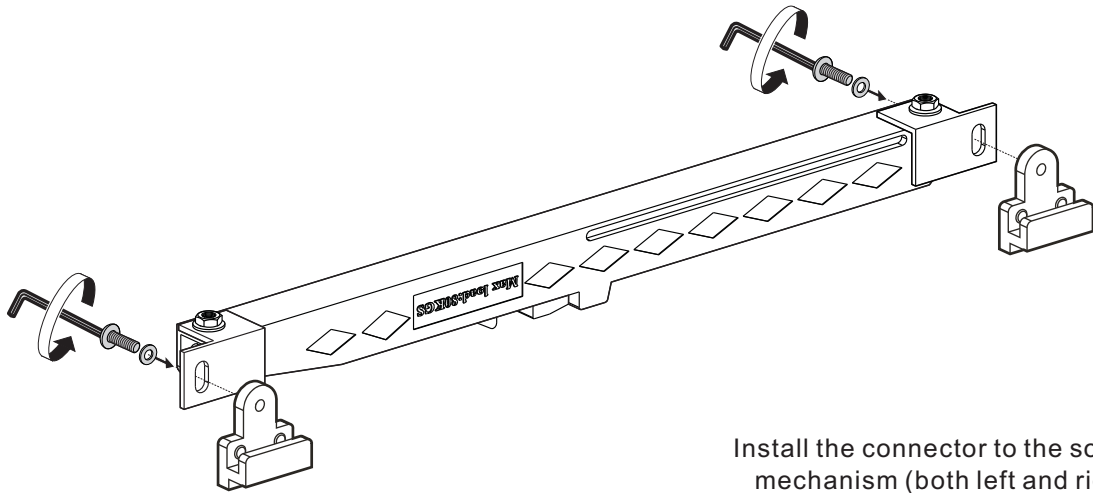


M5x6 (x2)



(x1)

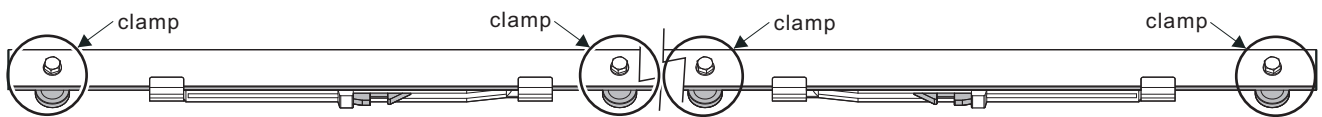
1



Install the connector to the soft close mechanism (both left and right side)

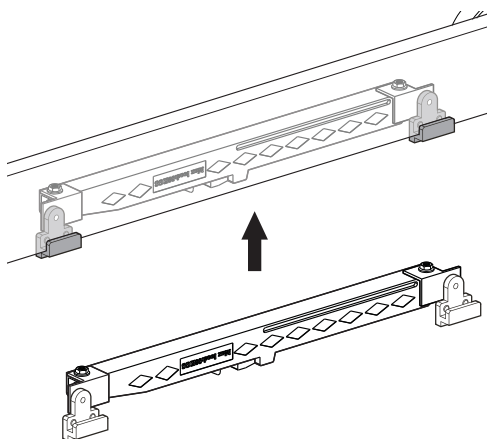
2

Pre-install the soft close at both ends of the rail (must be between the two clamps).

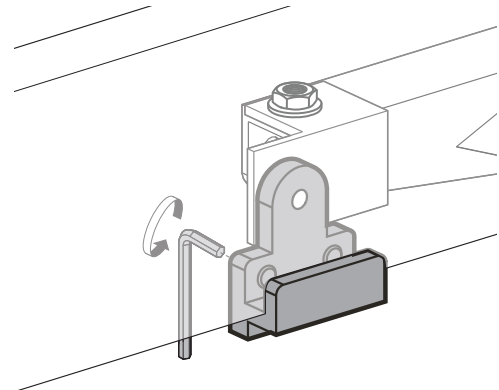


Right

2.1 Pre-install the soft close at both ends of the rail.

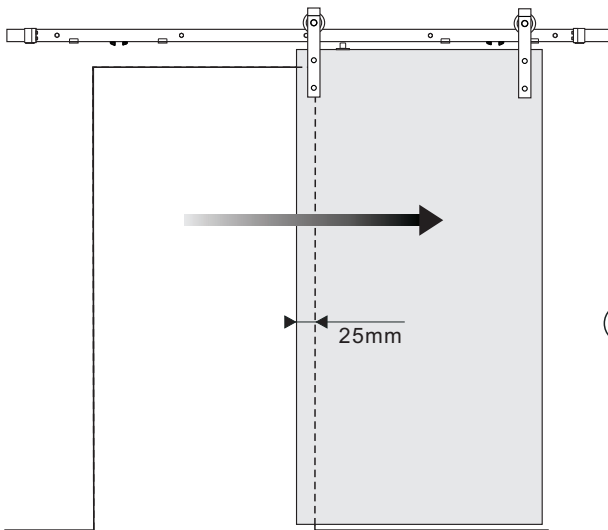


2.2 Tighten the screws of the soft close connector and the rail.

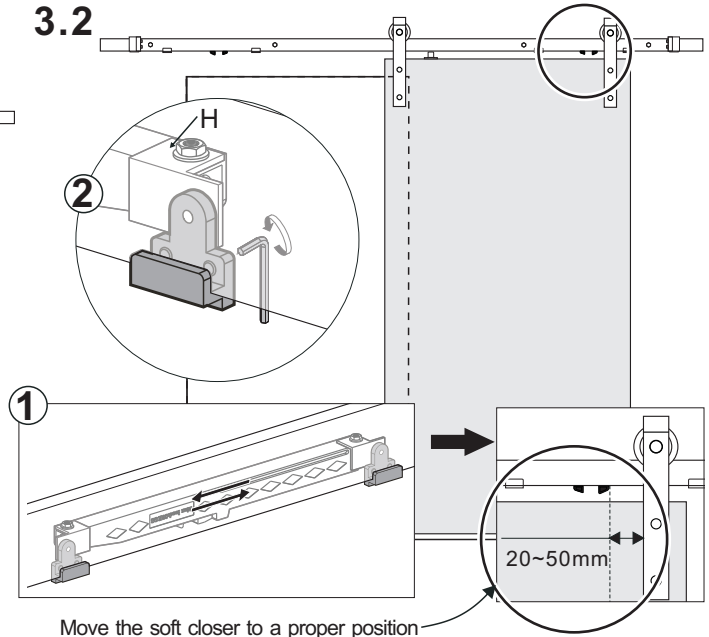


3

3.1 Slide the door to opened position.

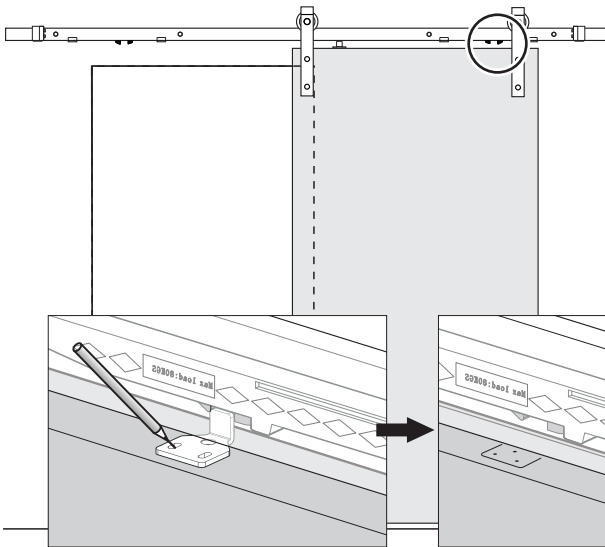


3.2

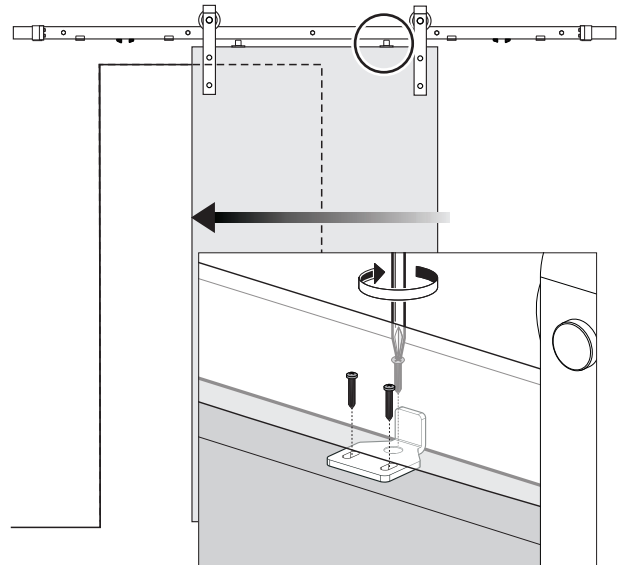


Move the soft closer to a proper position and tighten the screw of the connector to the rail completely.

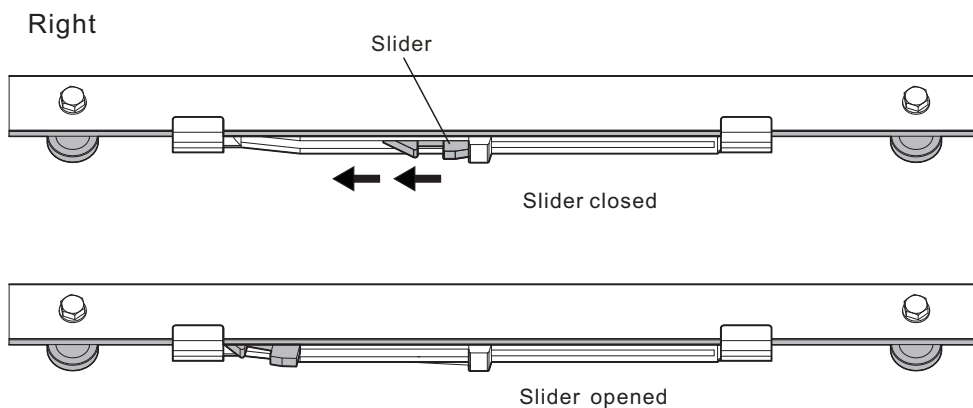
3.3 Stick the actuator inside the soft close, and mark the position.



3.4 Slide the door to the left side until the soft close does not interfere with the actuator, and install the actuator.



3.5 Open the slider on the right side of the actuator.



4

Adjust the soft close up and down (adjustment range $\pm 1.5\text{mm}$),
to keep the distance between the slider and the top end of the actuator within $0.3\sim 0.5\text{mm}$

