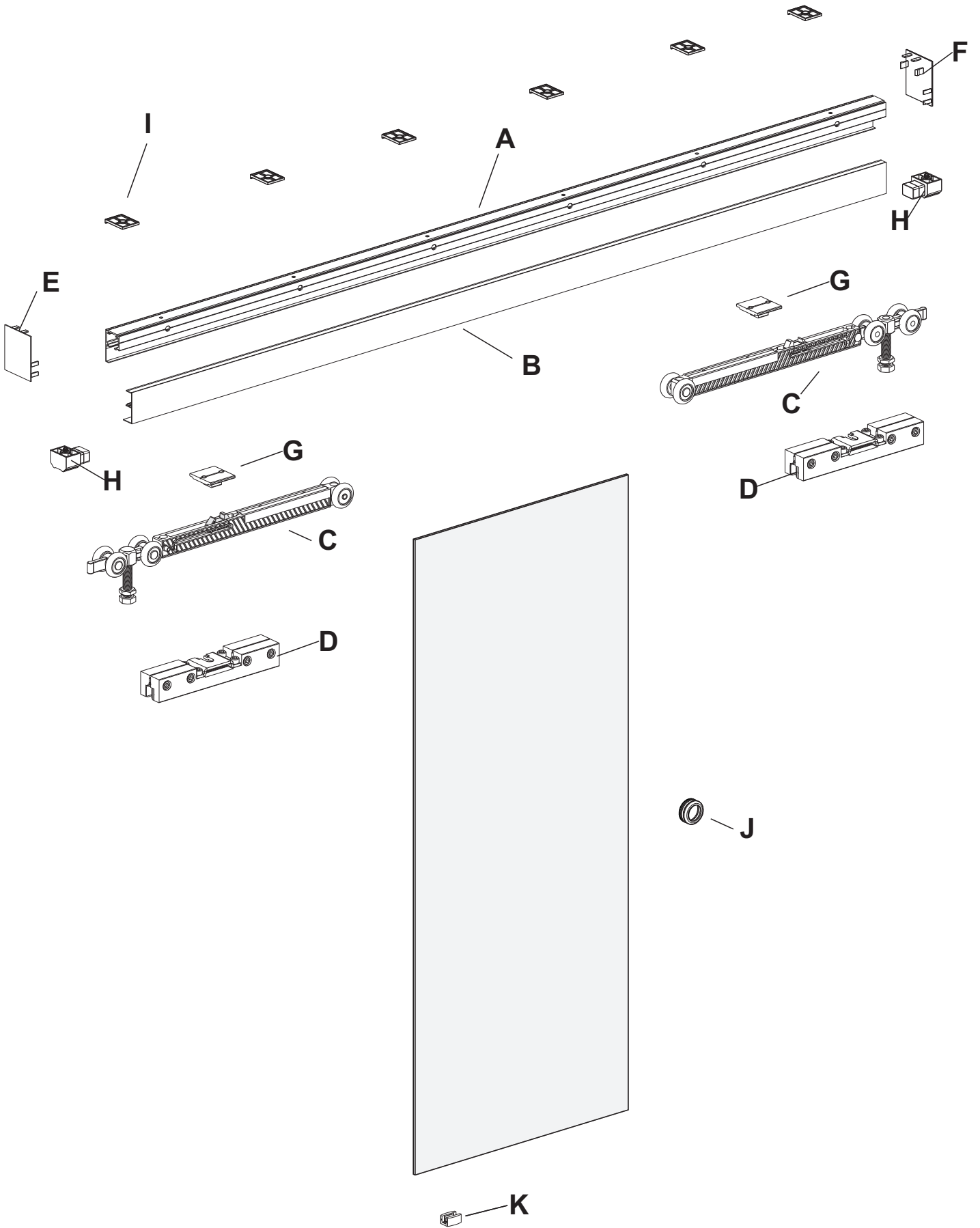


# Installation Manual

---

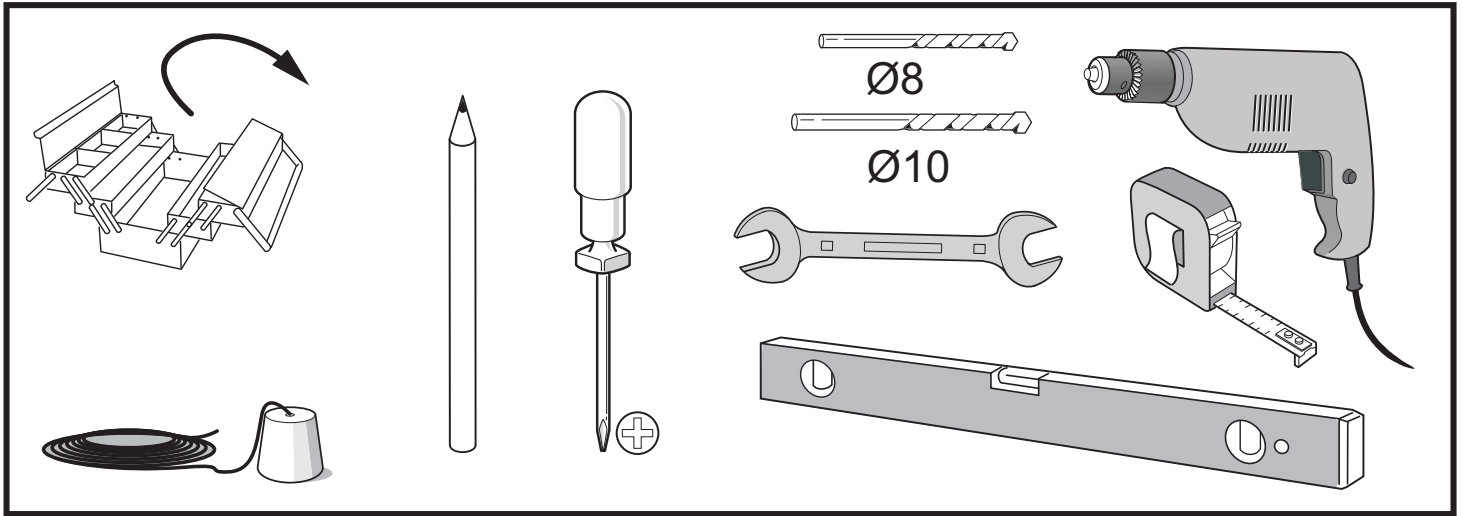


# Components list



# Pre-installation

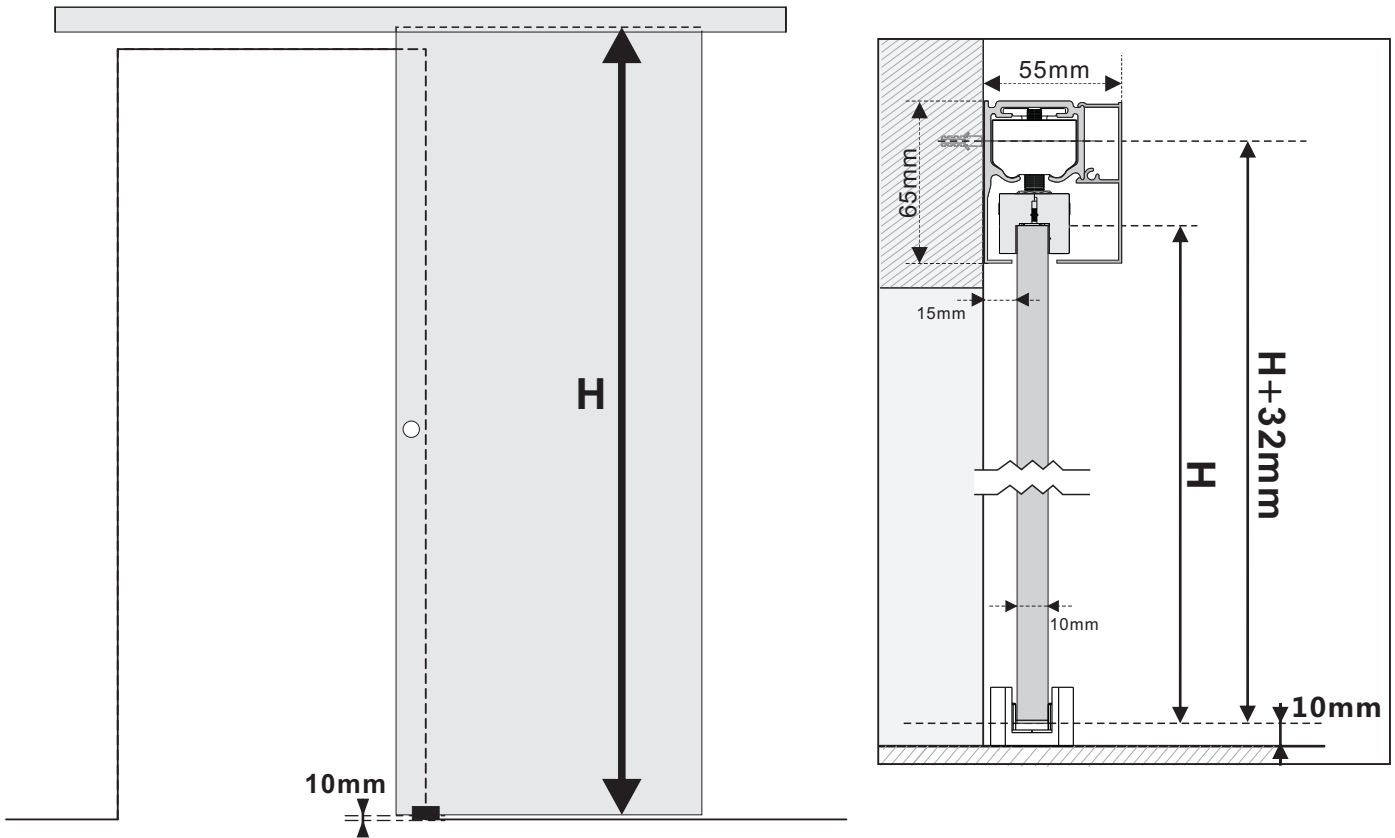
## TOOLS REQUIRED



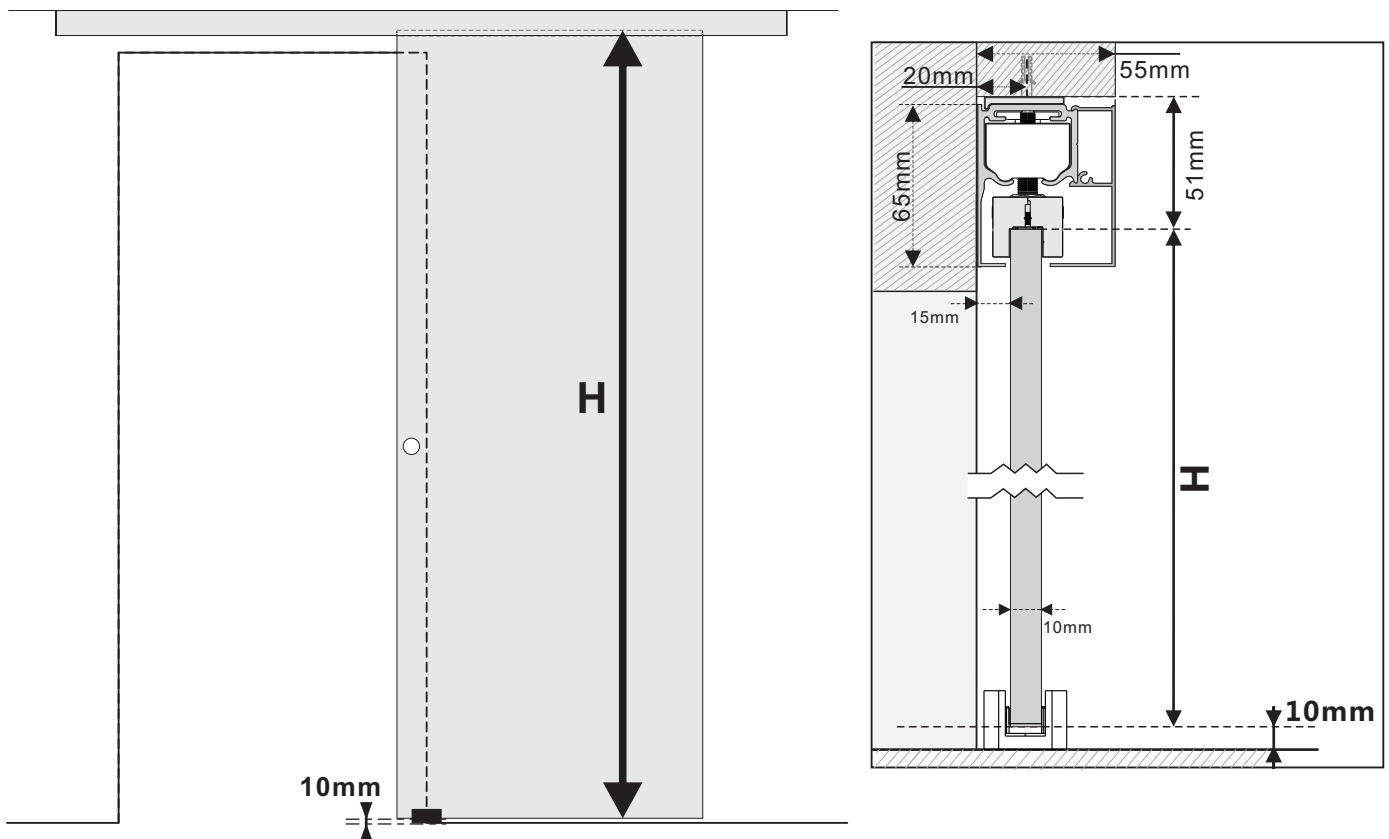
## HARDWARE INCLUDED

<p><b>A</b></p> <p><math>\text{Ø}10(\text{x}6)</math> ST4.8x50(x6)</p> <p>(x1)</p>	<p><b>B</b></p> <p>(x1)</p>	<p><b>C</b></p> <p>(x2)</p>		
<p><b>D</b></p> <p>(x2)</p>	<p><b>E</b></p> <p>(x1)</p>	<p><b>F</b></p> <p>(x1)</p>	<p><b>G</b></p> <p>(x2)</p>	<p><b>H</b></p> <p>(x2)</p>
<p><b>I</b></p> <p>(x6)</p>	<p><b>J</b></p> <p>(x1)</p>	<p><b>K</b></p> <p>(x1)</p> <p>ST4.8x32 (x 2)</p> <p><math>\text{Ø}8</math> (x 2)</p>	<p>(x1)</p>	<p>(x1)</p>

## Fixed at wall

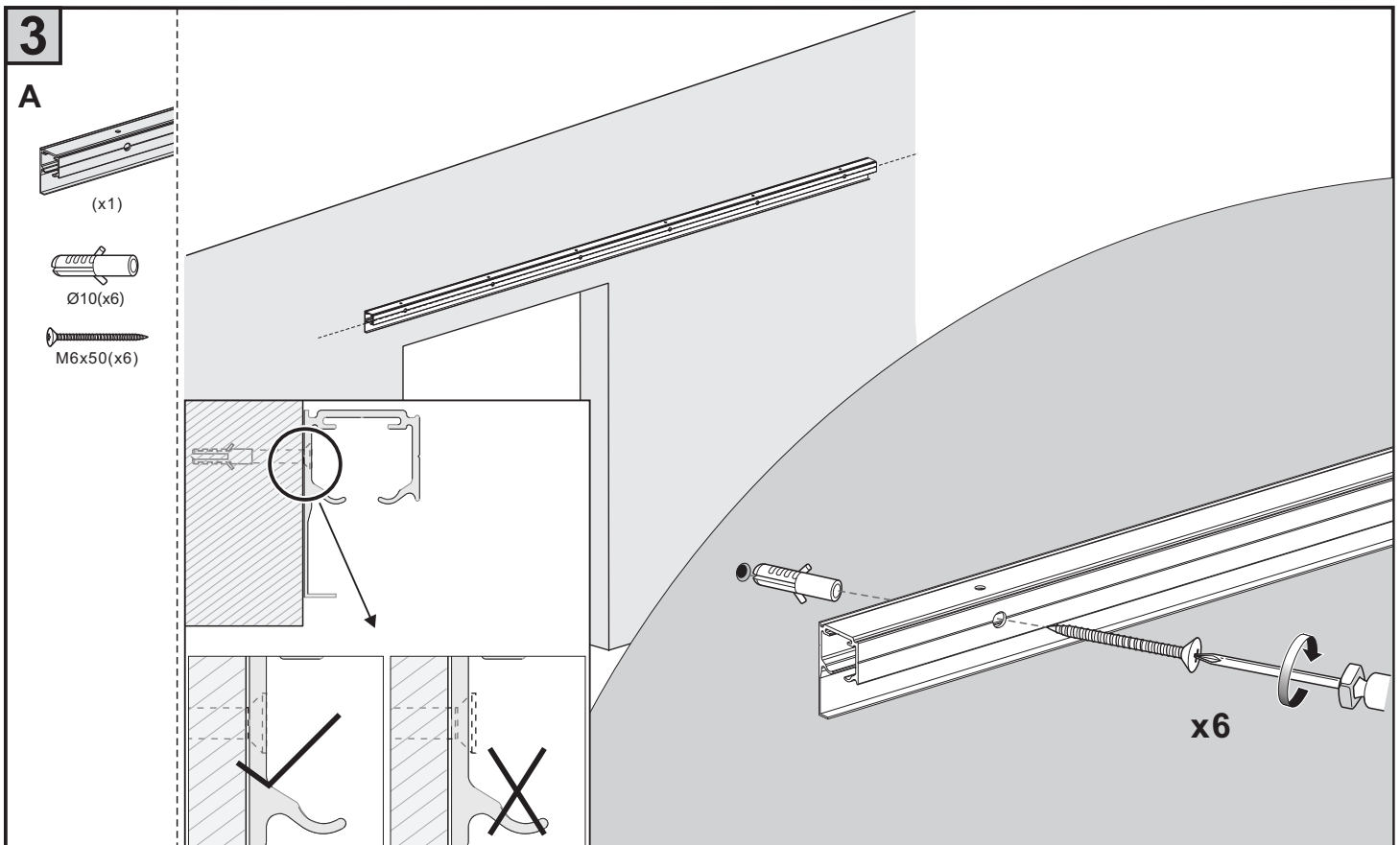
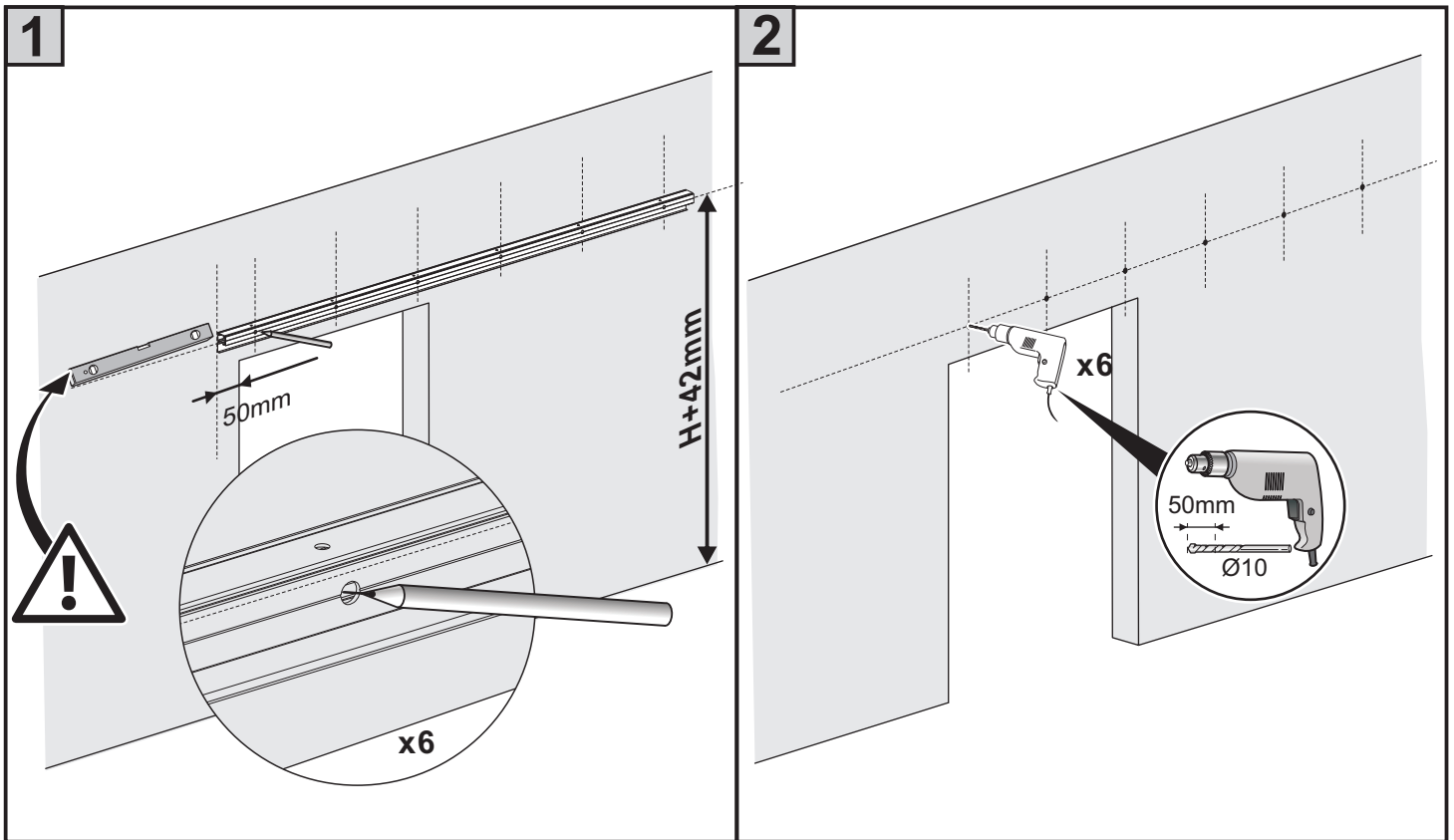


## Fixed at ceiling



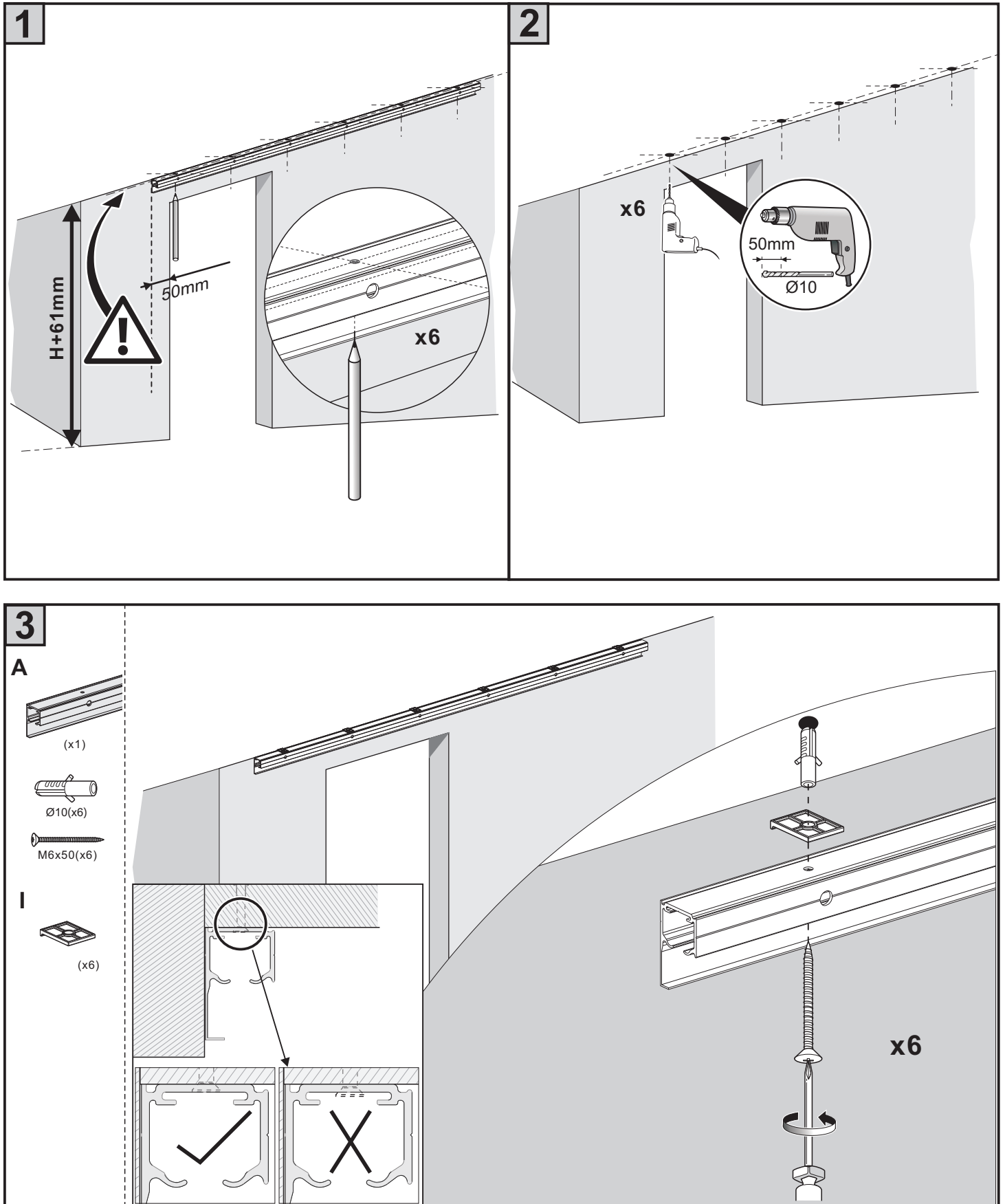
# Installation

## Fixed at wall



# Installation

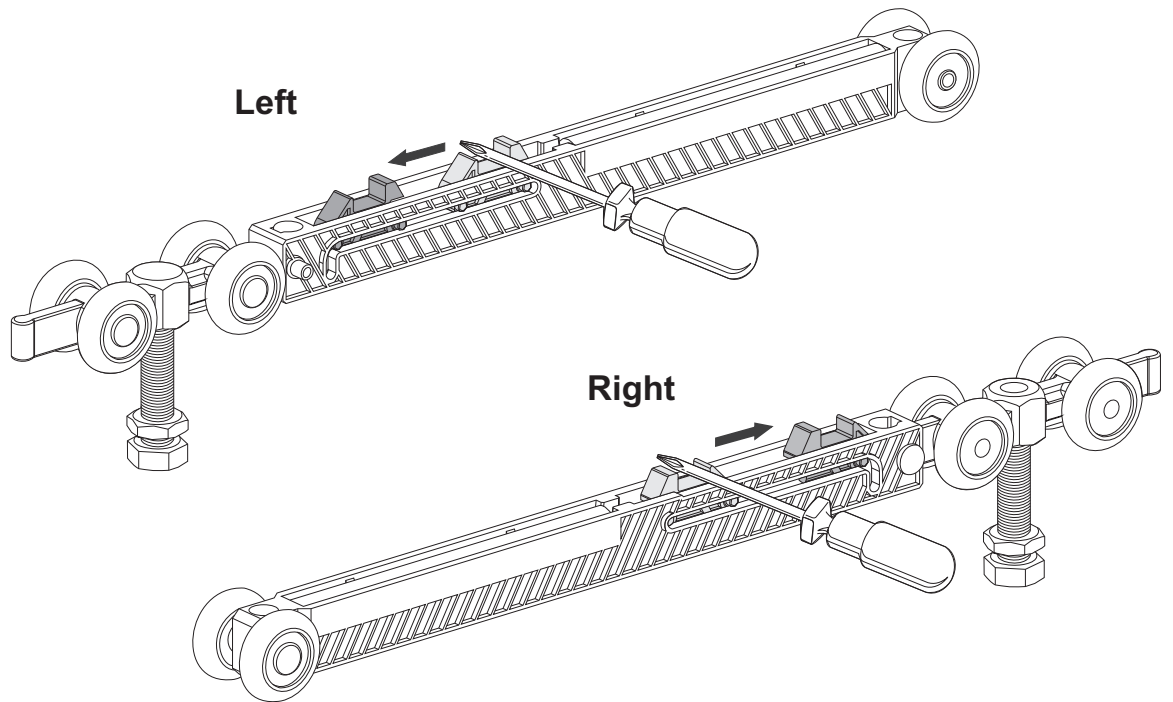
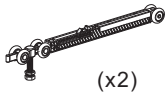
## Fixed at ceiling



# Installation

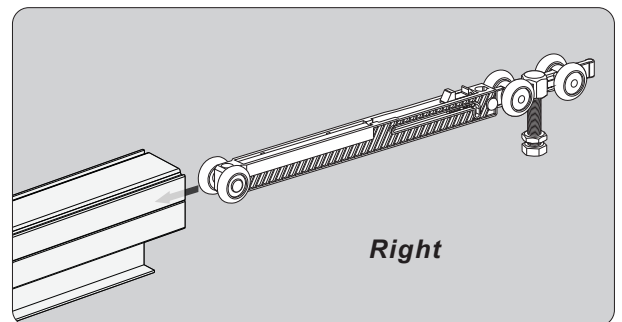
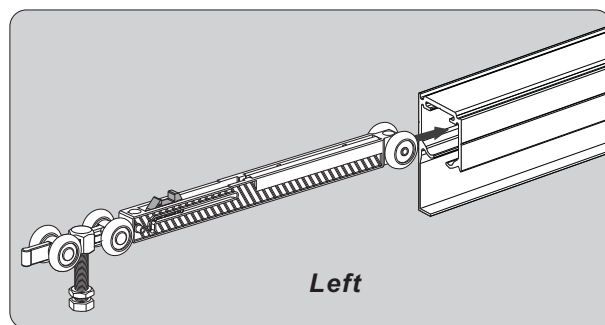
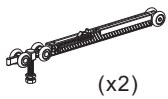
4

C

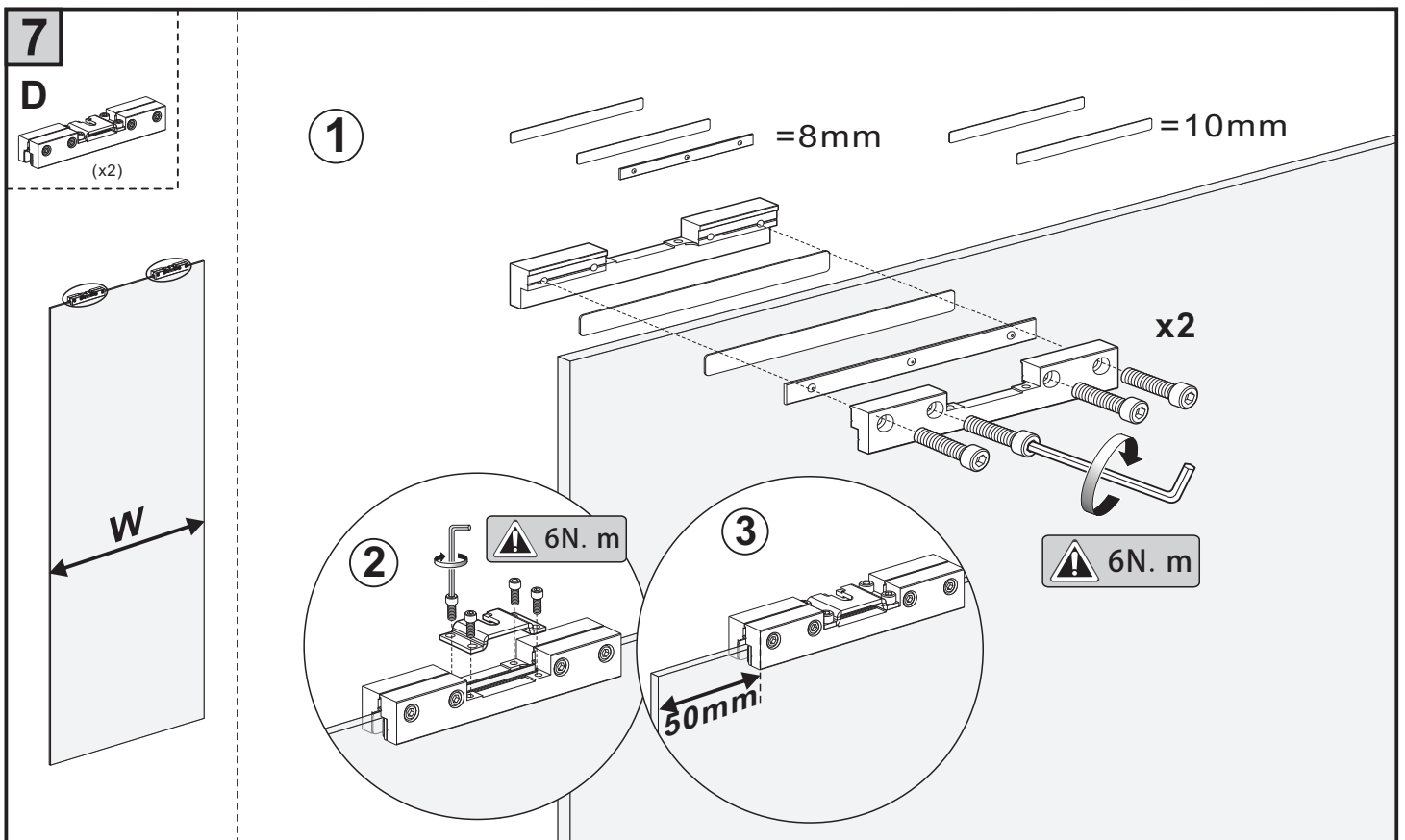
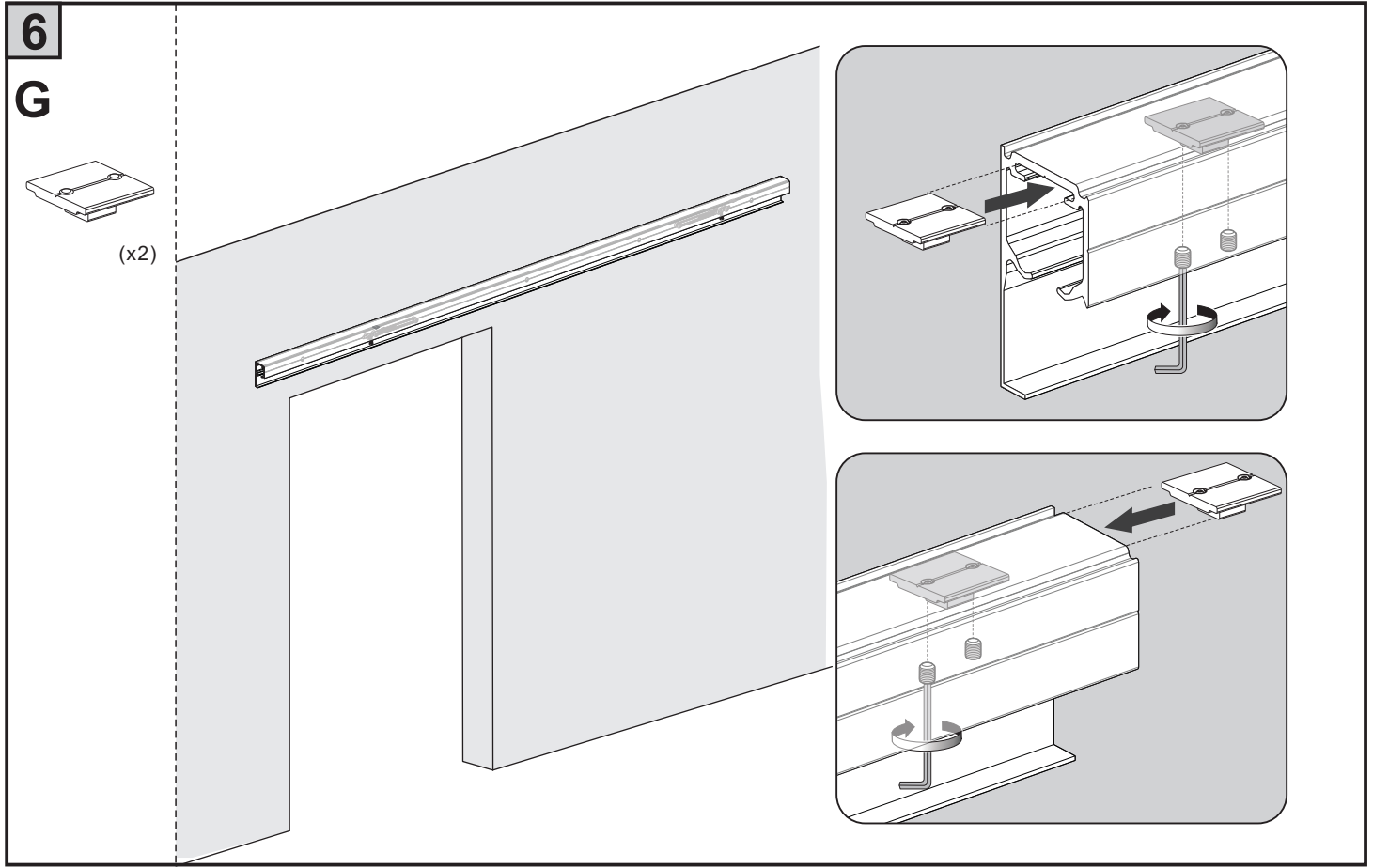


5

C



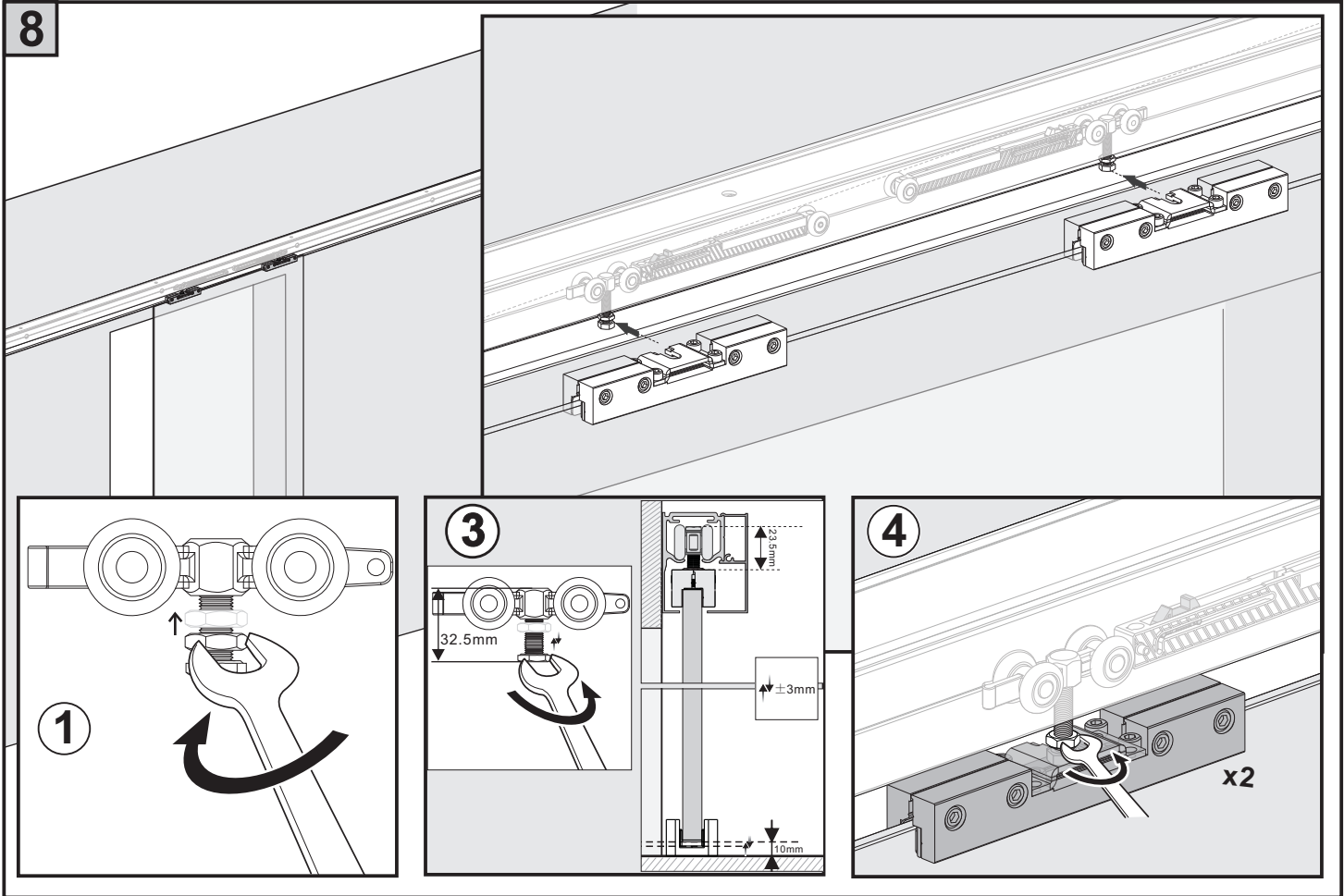
# Installation





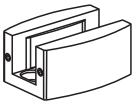
# Installation

8



9

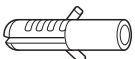
K



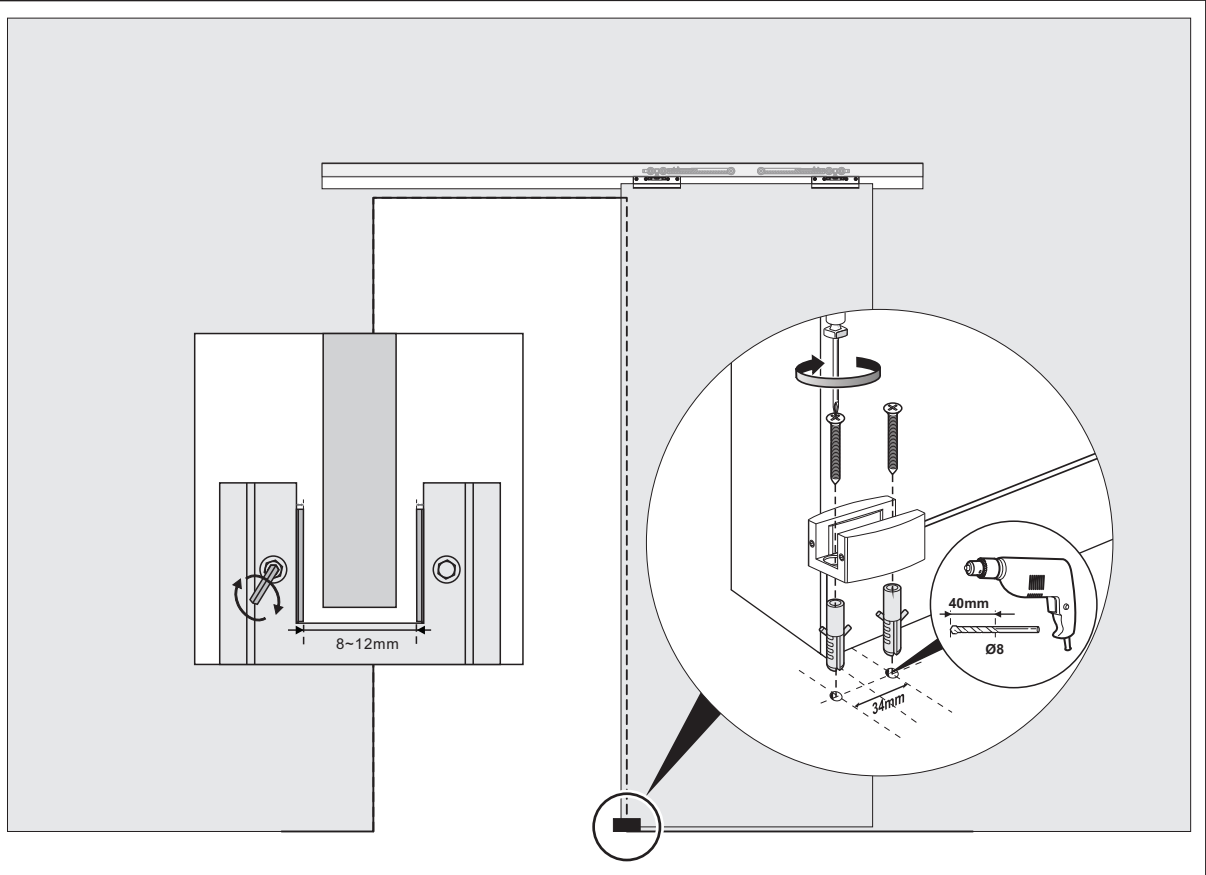
(x1)



ST4.8x32 (x2)

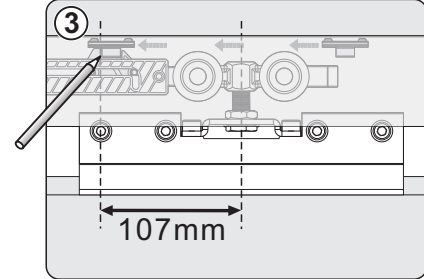
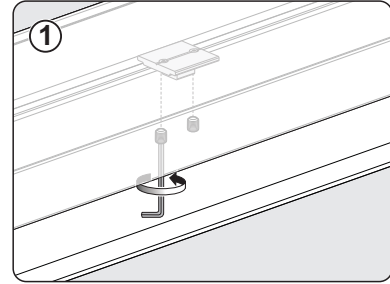
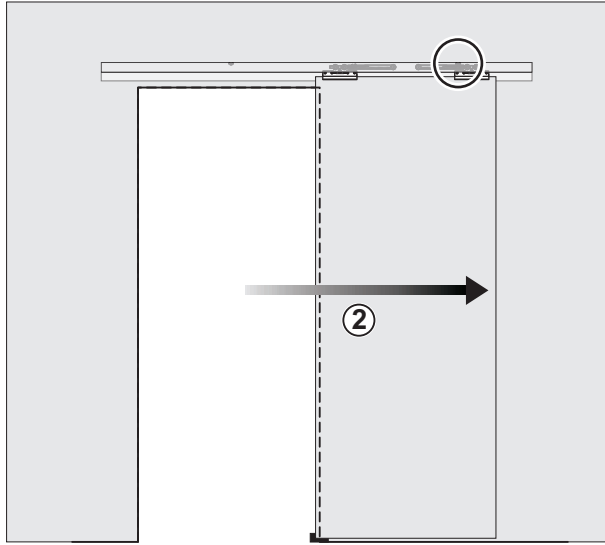


Ø8 (x2)

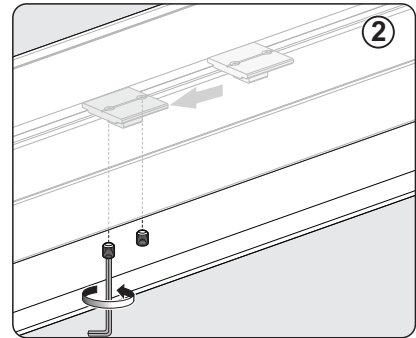
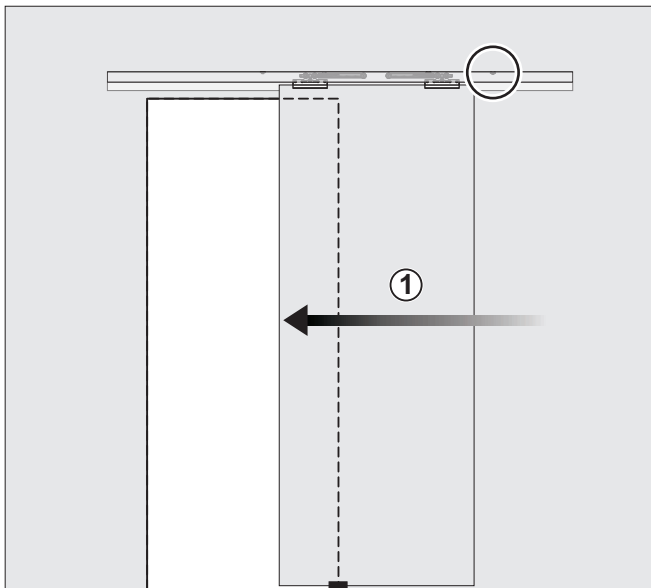


# Installation

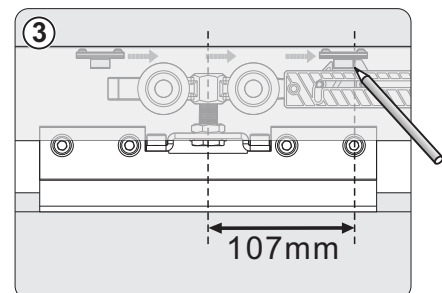
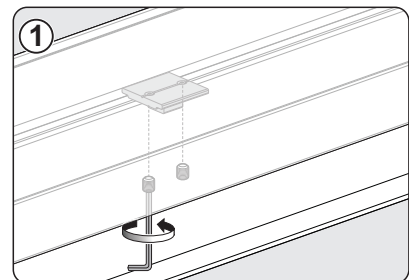
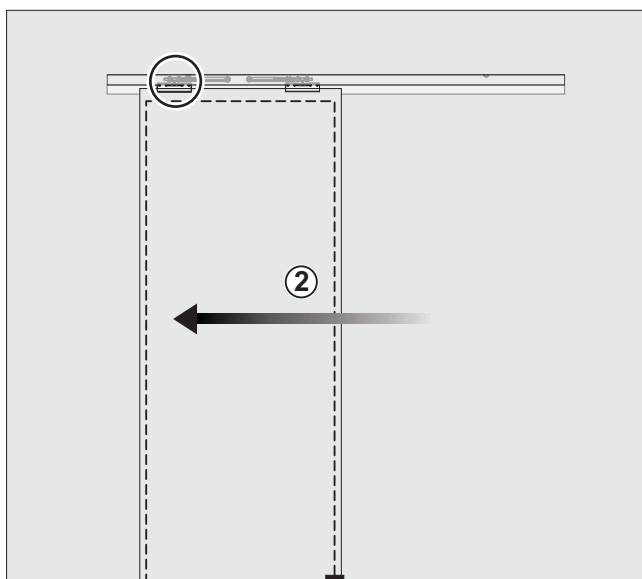
10



11

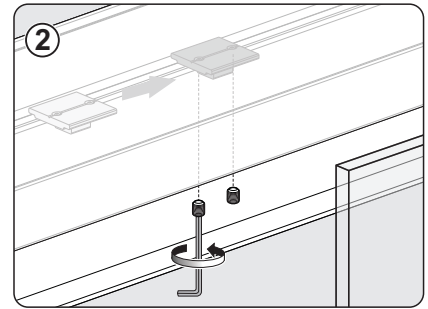
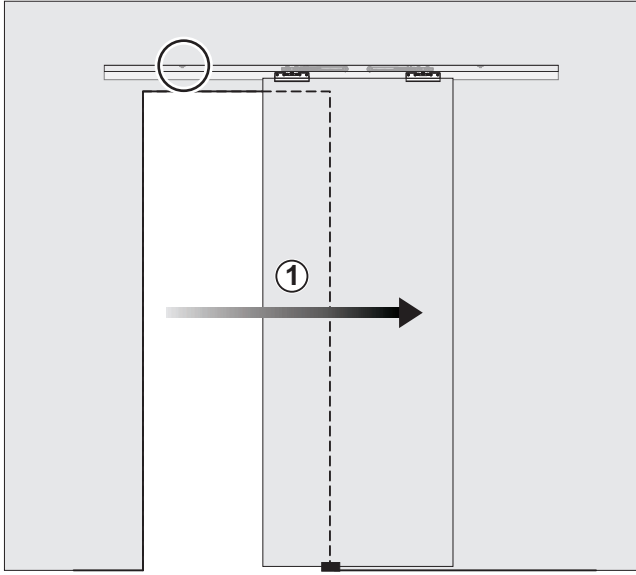


12



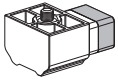
# Installation

13

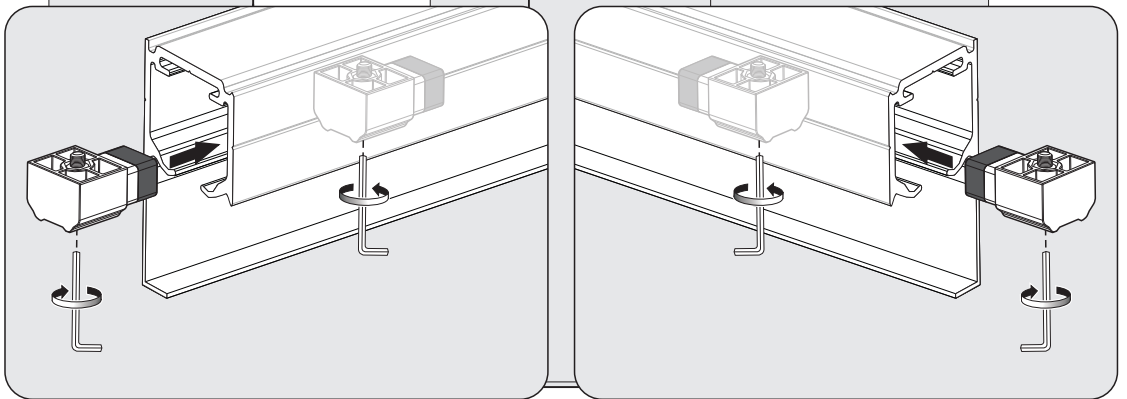
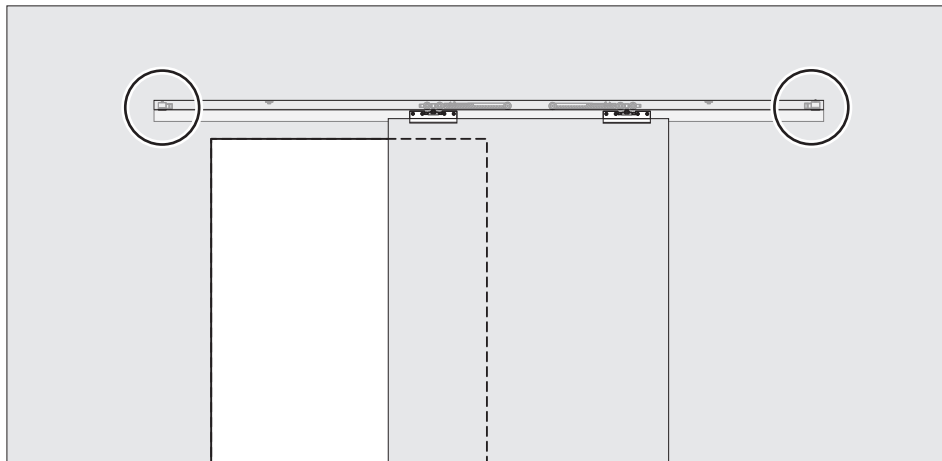


14

H



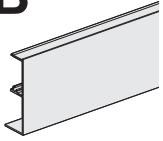
(x2)



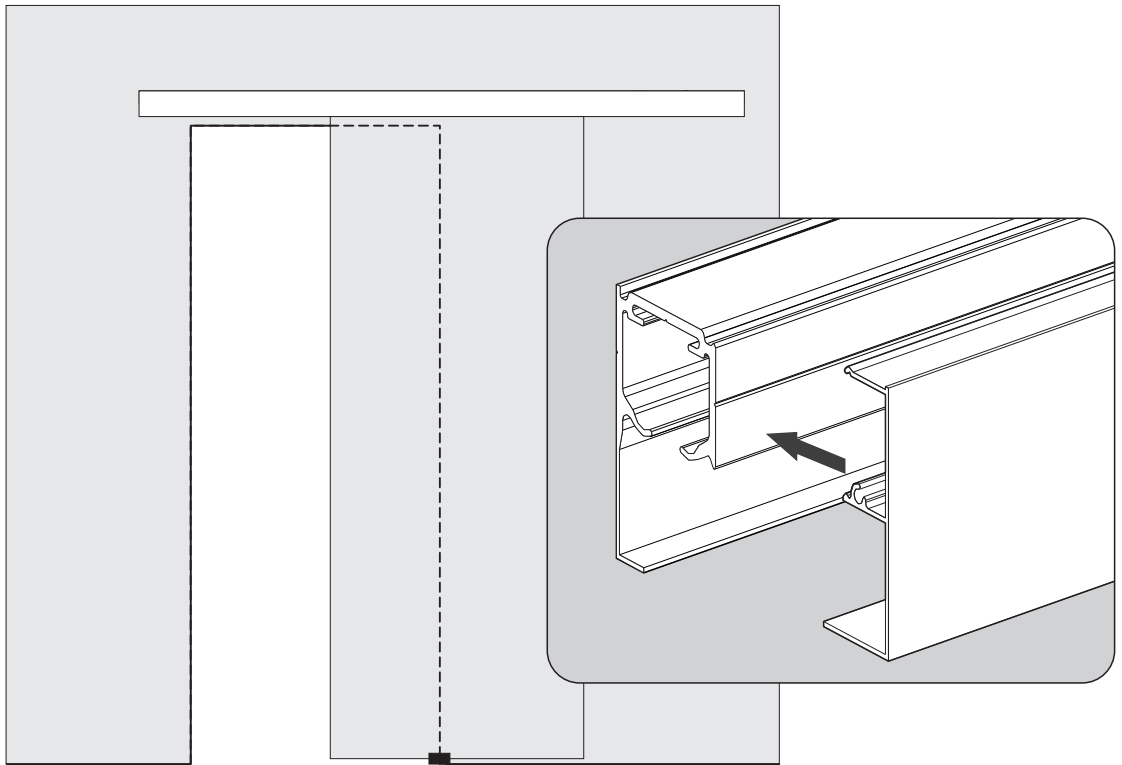
# Installation

15

**B**

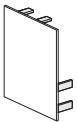


(x1)



16

**E**

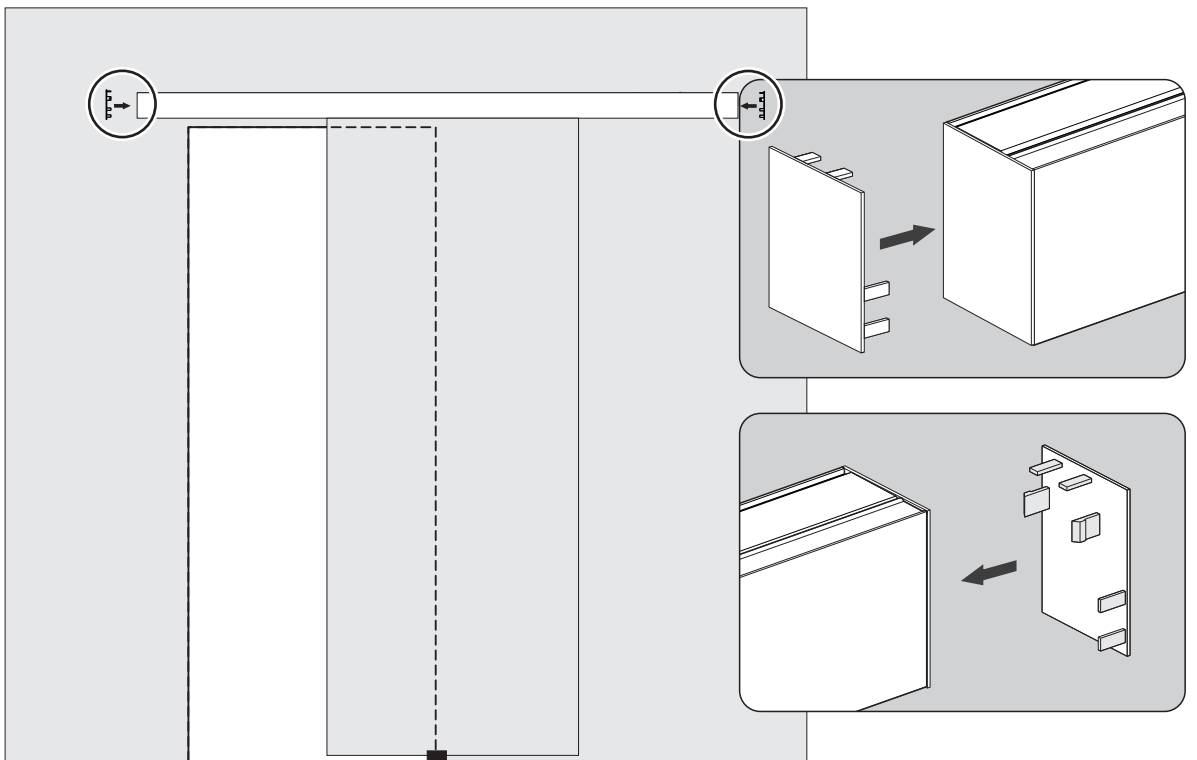


(x1)

**F**



(x1)



# Installation

17

J



(x1)

